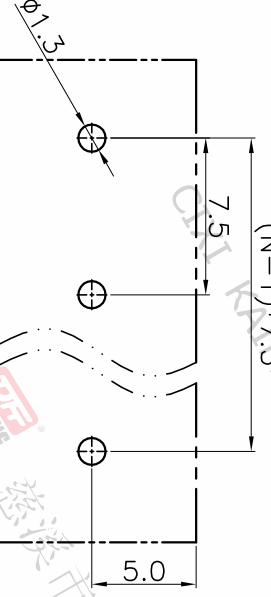
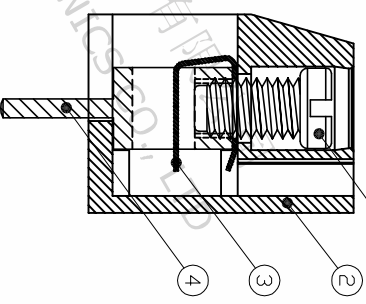
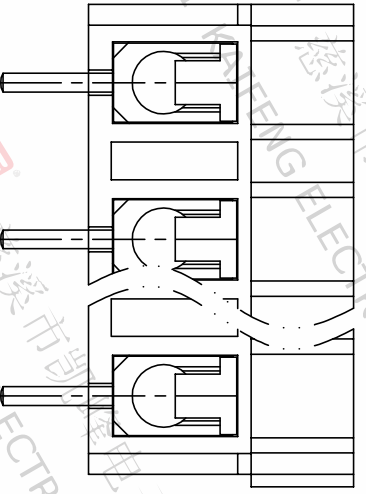
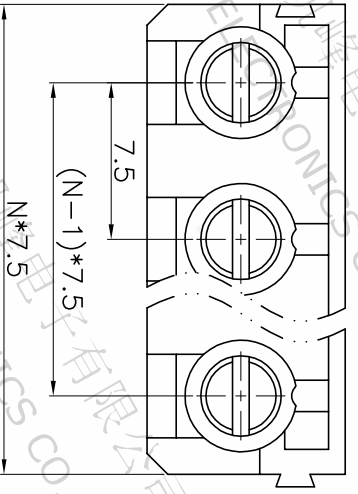


REV.	DESCRIPTION	DATE	DRAFTER	APPROVER
A1	DWG.REL	2020.05.18	DENG	



P.C.B.LAYOUT

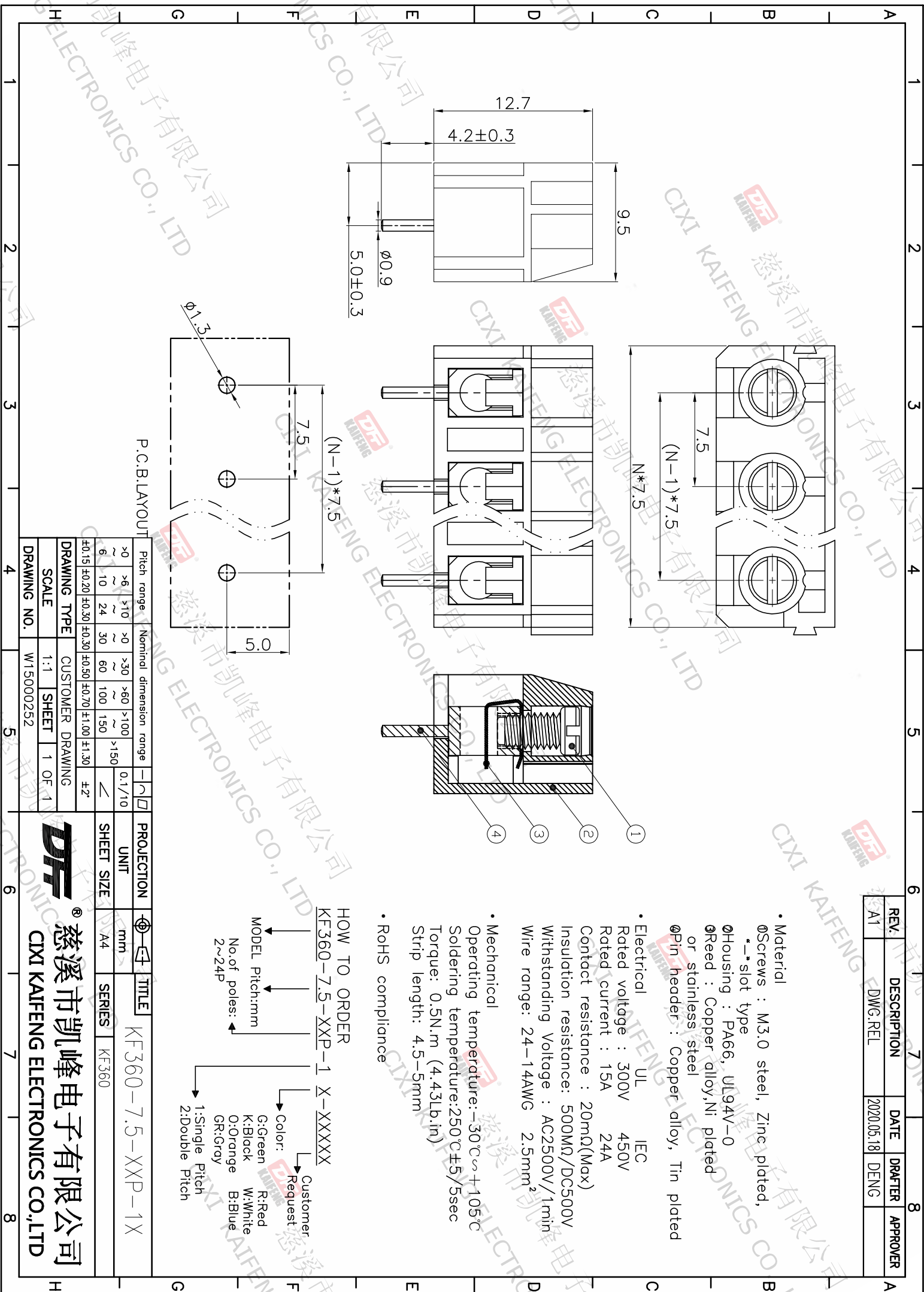
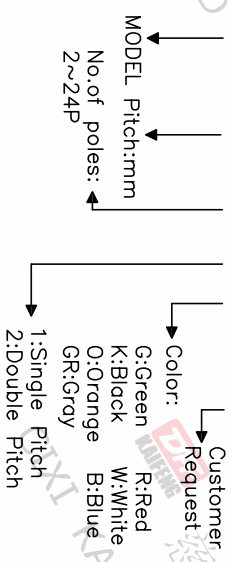
Pitch range	Nominal dimension range	Projection
>0	>60	0.1/1.0
>6	>100	0.1/1.0
~	~	~
6	10	24
±0.15	±0.20	±0.30
±0.30	±0.50	±0.70
±0.50	±0.70	±1.00
±1.00	±1.30	±2

PROJECTION	UNIT	TITLE
mm	A4	KF360-7.5-XXP-1X
SHEET SIZE	A4	SERIES KF360

- Material
 - ØScrews : M3.0 steel, Zinc plated,
 - * slot type
 - ØHousing : PA66, UL94V-0
 - ØReed : Copper alloy, Ni plated or stainless steel
 - ØPin header : Copper alloy, Tin plated
- Electrical
 - UL
 - Rated voltage : 300V 450V
 - Rated current : 15A 24A
 - Contact resistance : 20mΩ(Max)
 - Insulation resistance: 500MΩ/DC500V
 - Withstanding Voltage : AC2500V/1min
 - Wire range: 24-14AWG 2.5mm²
- Mechanical
 - Operating temperature: -30℃~+105℃
 - Soldering temperature:250℃±5/5sec
 - Torque: 0.5N.m (4.43lb.in)
 - Strip length: 4.5-5mm
- RoHS compliance

HOW TO ORDER

KF360-7.5-XXP-1 X-XXXXX



慈溪市凯峰电子有限公司
CIXI KAIFENG ELECTRONICS CO., LTD

DFE
慈溪市凯峰电子有限公司
CIXI KAIFENG ELECTRONICS CO.,LTD