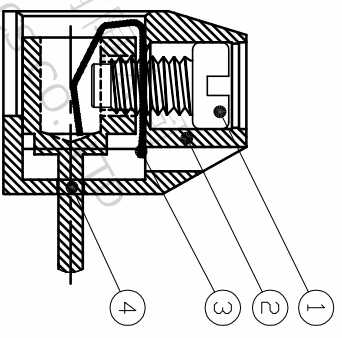
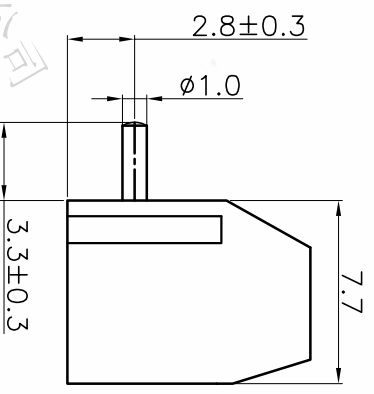
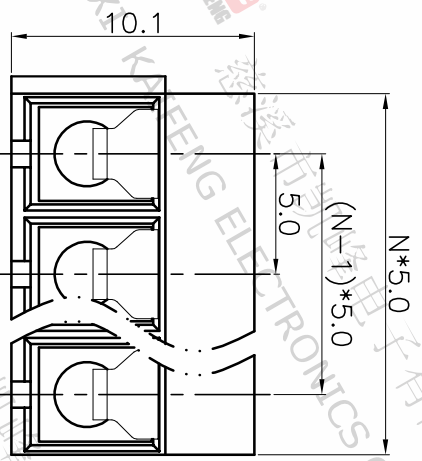
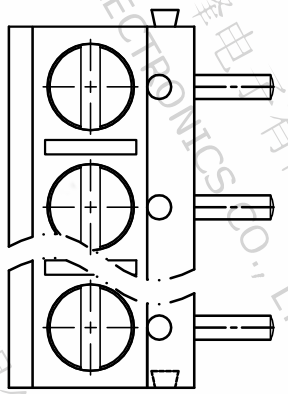


REV.	DESCRIPTION	DATE	DRAFTER	APPROVER
A1	DWG.REL	2020.05.17	DENG	JIN



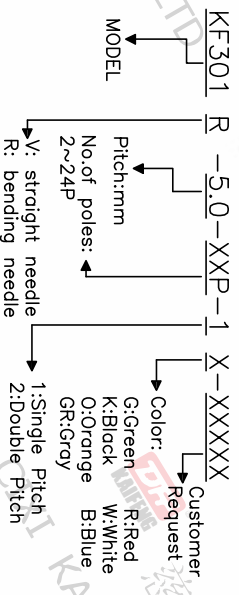
- Material
 @Screws : M2.5 steel, Zinc plated.
 *-*slot type
 @Housing : PA66, UL94V-0
 @Reed : Copper alloy, Ni plated
 or stainless steel
 @Pin header : Copper alloy, Tin plated

- Electrical
 UL IEC
 Rated voltage : 300V 250V
 Rated current : 12A 17.5A
 Contact resistance : 20mΩ(Max)
 Insulation resistance: 500MΩ/DC500V
 Withstanding Voltage : AC2000V/1min
 Wire range: 22-14AWG 2.5mm²

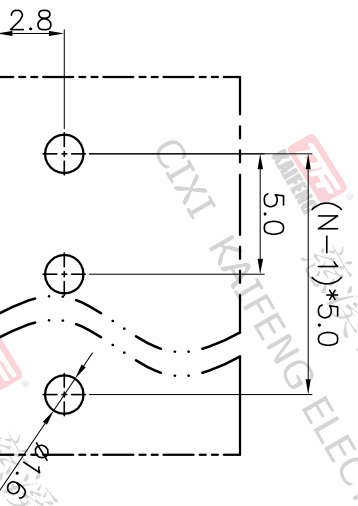
- Mechanical
 Operating temperature: -30℃~+120℃
 Soldering temperature:250℃±5/5sec
 Torque: 0.4N.m (3.54lb.in)
 Strip length: 4.5-5mm

• RoHS compliance

HOW TO ORDER



P.C.B.LAYOUT



Pitch range	Nominal dimension range	PROJECTION	UNIT
>0	>0	0.1/10	mm
>6	>10		
~	~		
6	10		
~	~		
10	24		
~	~		
24	30		
~	~		
30	60		
~	~		
60	100		
~	~		
100	150		
~	~		
150	>150		
±2'			
±0.15	±0.20	±0.30	±0.50
±0.20	±0.30	±0.50	±0.70
±0.30	±0.50	±0.70	±1.00
±0.50	±0.70	±1.00	±1.30

DF 慈溪市凯峰电子有限公司
CIXI KAIFENG ELECTRONICS CO.,LTD

DF 慈溪市凯峰电子有限公司
CIXI KAIFENG ELECTRONICS CO.,LTD

DRAWING TYPE: CUSTOMER DRAWING
 SCALE: 1:1 SHEET: 1 OF 1
 DRAWING NO.: W15000142

TITLE: KF301R-5.0-XXP-1X
 SHEET SIZE: A4
 SERIES: KF301