

REV.	DESCRIPTION	DATE	DRAFTER	APPROVER
A1	DWG.REL	2020.5.20	ZHANG	JIN

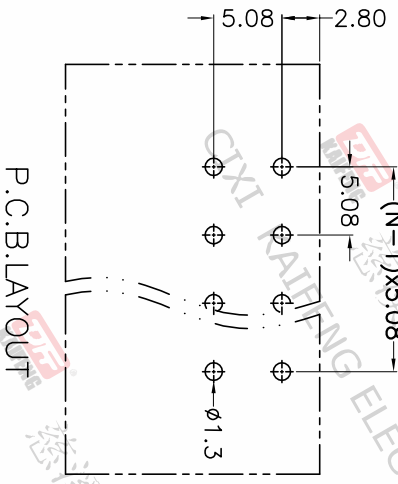
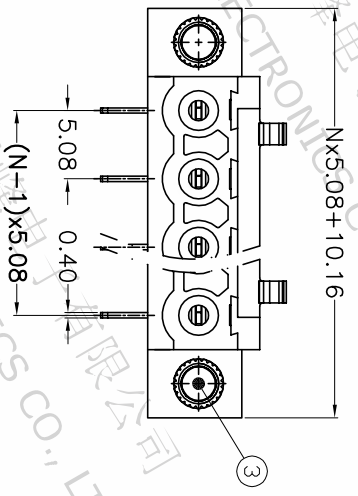
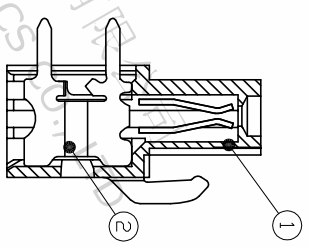
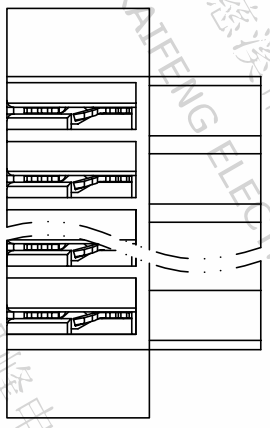
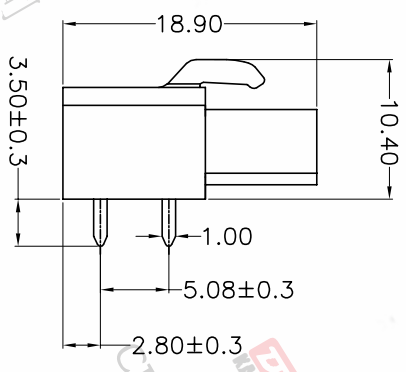
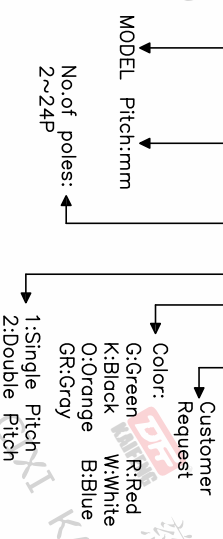
- Material
 ØHousing : PA66, UL94V-0
 ØPin header : Copper alloy, Ag plated
 ØNut : M2.5, Brass

- Electrical
 UL IEC
 Rated voltage : 300V 320V
 Rated current : 15A 20A
 Contact resistance : 20mΩ(Max)
 Insulation resistance: 500MΩ/DC500V
 Withstanding Voltage : AC2000V/1min

- Mechanical
 Operating temperature: -40℃~+105℃
 Soldering temperature: 250℃±5/5sec

- RoHS compliance

HOW TO ORDER
 KF2EFRM-5.08-XXP-1 X-XXXXX



P.C.B. LAYOUT

Pitch range	Nominal dimension range	PROJECTION	UNIT	TITLE
>0	>0	0.1/10	mm	KF2EFRM-5.08-XXP-1X
~6	~30			
~10	~60			
~24	~100			
±0.15	±0.30	±2°		
±0.20	±0.50			
±0.30	±0.70			
±1.00	±1.30			

DFE 慈溪市凯峰电子有限公司
 CIXI KAIFENG ELECTRONICS CO.,LTD

DRAWING TYPE: CUSTOMER DRAWING
 SCALE: 1:1 SHEET: 1 OF 1
 DRAWING NO.: W10001872

