

REV.	DESCRIPTION	DATE	DRAFTER	APPROVER
A1	DWG.REL	2020.5.23	ZHANG	JIN

- Material  
 ①Screw : M2.5 steel, Zinc plated, \*-\* slot type  
 ②Housing : PA66, UL94V-0  
 ③Contact : Copper alloy, Tin plated  
 ④Clamp : Copper alloy, Ni plated  
 ⑤Cover : PA66, UL94V-0

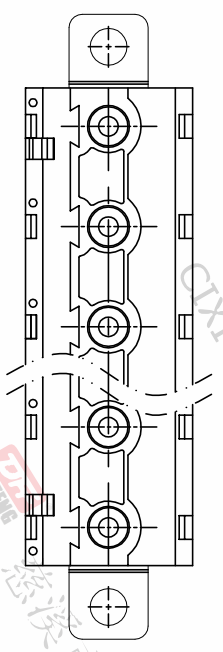
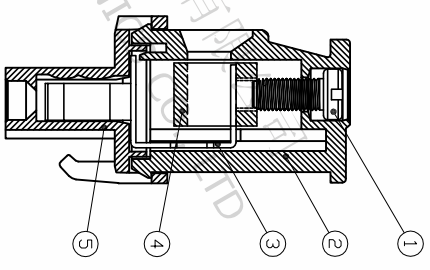
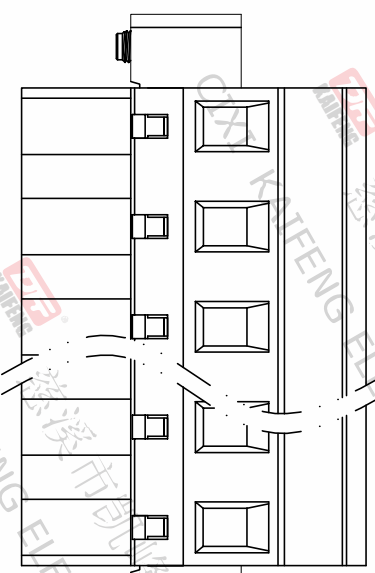
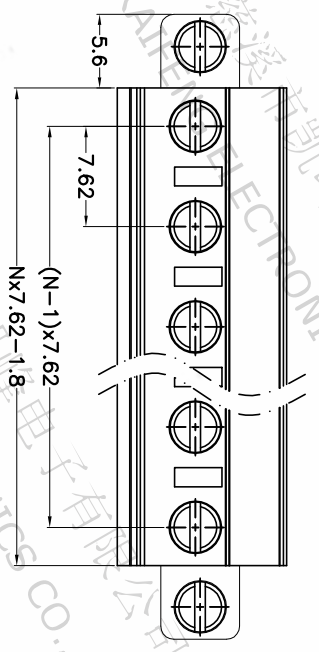
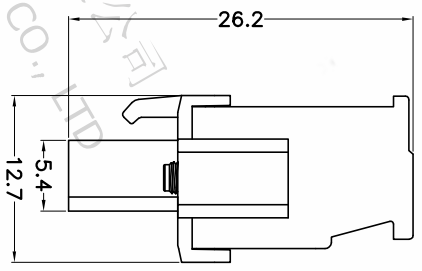
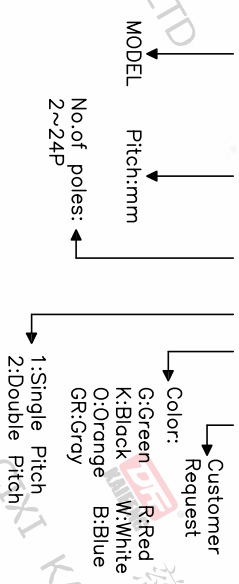
- Electrical  
 UL IEC  
 Rated voltage : 300V 400V  
 Rated current : 15A 18A  
 Contact resistance : 20mΩ(Max)  
 Insulation resistance : 500MΩ/DC500V  
 Withstanding Voltage : AC2500V/1min  
 Wire range : 28-12AWG 2.5mm<sup>2</sup>

- Mechanical  
 Operating temperature: -40℃~+105℃  
 Soldering temperature: 250℃±5/5sec  
 Torque: 0.4N.m (3.54Lb.in)  
 Strip length: 7-8mm

• RoHS compliance

HOW TO ORDER

KF2EDGKBM-7.62-XXP-1 X-XXXX



Pitch range	Nominal dimension range	PROJECTION	UNIT
>0	>0	0.1/10	mm
~6	~30		
~10	~60		
~24	~100		
~30	~150		
±0.15	±0.30	±2°	
±0.20	±0.30		
±0.30	±0.50		
±0.70	±1.00		
±1.30	±1.30		

DRAWING TYPE	CUSTOMER DRAWING
SCALE	1:1
SHEET	1 OF 1
DRAWING NO.	W10000432

TITLE	SHEET SIZE	SERIES
KF2EDGKBM-7.62-XXP-1X	A4	KF2EDGKBM

**DF** 慈溪市凯峰电子有限公司  
 CIXI KAIFENG ELECTRONICS CO.,LTD