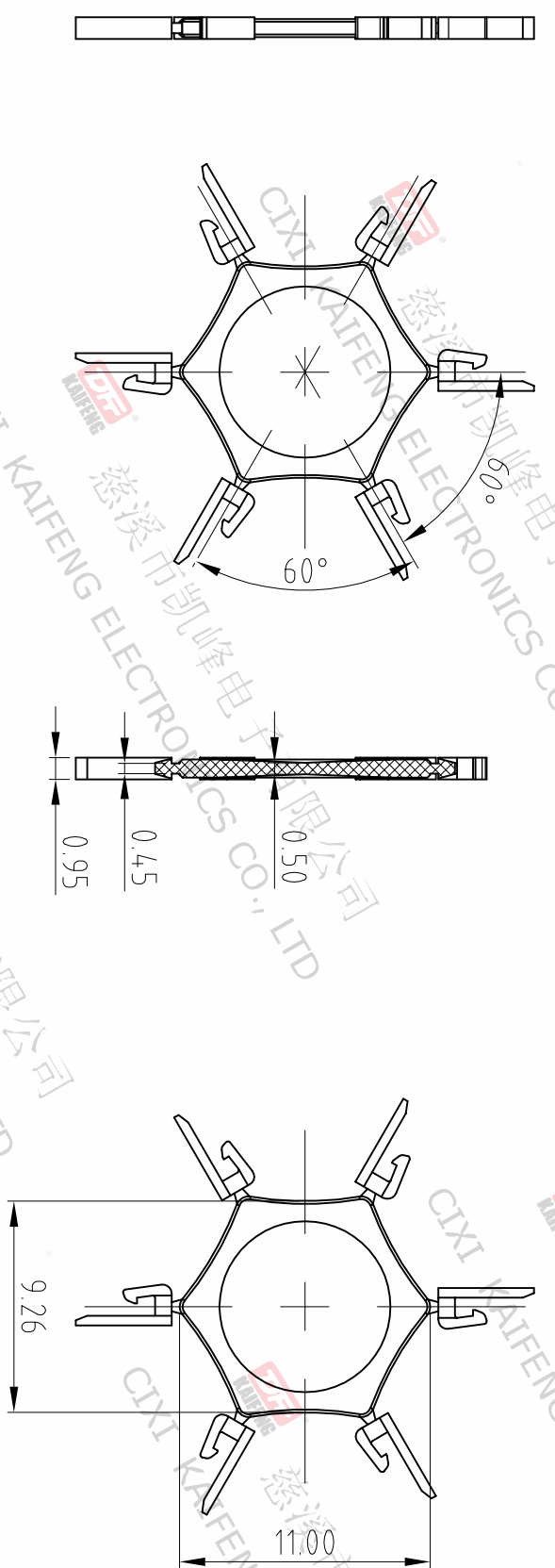


REV.	DESCRIPTION	DATE	DRAFTER	APPROVER
A1	DWG.REL	2020.5.20	ZHANG	JIN

- Material : PA66, UL94V-0
- RoHS compliance



Pitch range	Nominal dimension range	PROJECTION
>0 ~ >6 ~ 10 6 10 24	>0 ~ >30 ~ 30 60 100 150 ~ >150	— <input type="checkbox"/> <input checked="" type="checkbox"/> 0.1/10
±0.15 ±0.20 ±0.30 ±0.30 ±0.50 ±0.70 ±1.00 ±1.30		— <input type="checkbox"/> <input checked="" type="checkbox"/> ±2'
DRAWING TYPE	CUSTOMER DRAWING	SHEET SIZE
SCALE	1:1	A4
DRAWING NO.	W10001942	SHEET
		1 OF 1

UNIT	TITLE
mm	KF2EDG-PJ2
SHEET SIZE	SERIES
A4	KF2EDG

DF 慈溪市凯峰电子有限公司
CIXI KAIFENG ELECTRONICS CO.,LTD