

REV.	DESCRIPTION	DATE	DRAFTER	APPROVER
A1	DWG.REL	2020.6.10	ZHANG	JIN

- Material
  - ①Screw : M2.0 steel,Zinc plated,“-” slot type
  - ②Housing : PA66, UL94V-0
  - ③Contact : Copper alloy,Tin plated
  - ④Clamp : Copper alloy, Ni plated
  - ⑤Cover : PA66, UL94V-0
  - ⑥Screw : M2.5 steel,Zinc plated,“-” slot type

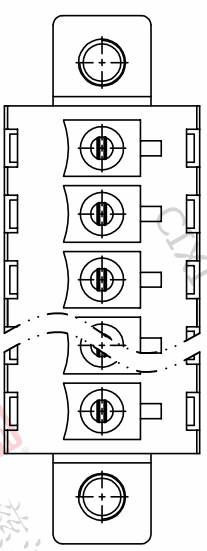
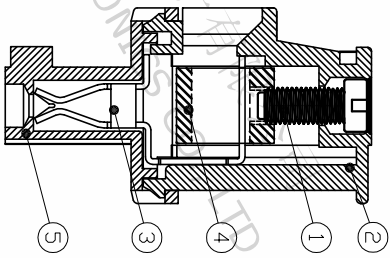
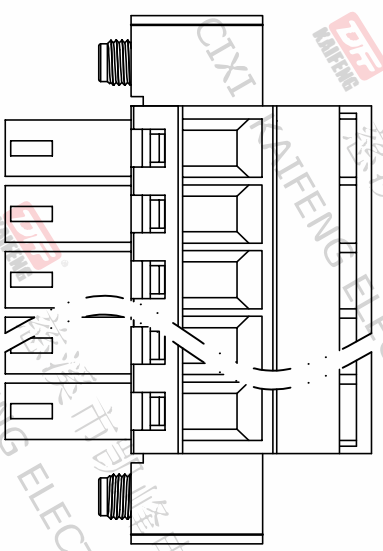
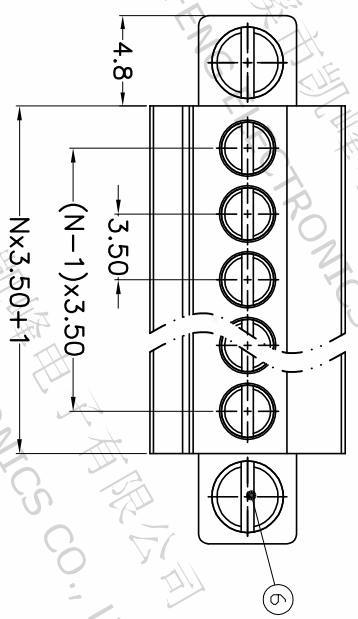
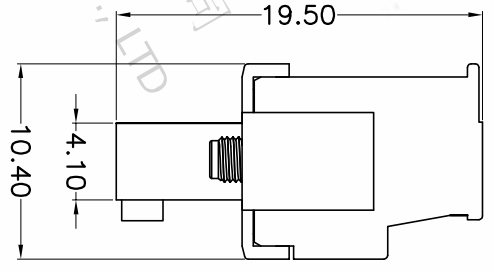
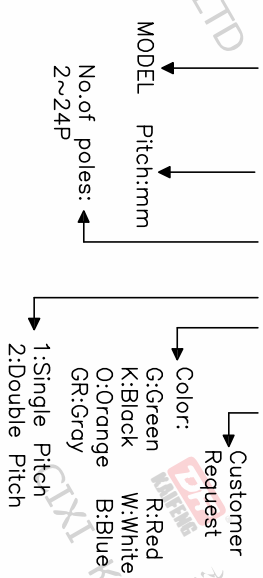
- Electrical
  - UL IEC
  - Rated voltage : 300V 250V
  - Rated current : 8A 7A
  - Contact resistance : 20mΩ(Max)
  - Insulation resistance : 500MΩ/DC500V
  - Withstanding Voltage : AC1500V/1min
  - Wire range : 28-16AWG 0.5-1.5mm<sup>2</sup>

- Mechanical
  - Operating temperature:-40℃~+105℃
  - Soldering temperature:250℃±5/5sec
  - Torque: 0.2N.m (1.77Lb.in)
  - Strip length: 6-7mm

• RoHS compliance

HOW TO ORDER

KF12EKAM-3.5-XXP-1 X-XXXXX



Pitch range	Nominal dimension range	Projection
>0	>0	0.1/10
~6	~30	~
~10	~60	~
~24	~100	~
±0.15	±0.30	±2°
	±0.50	
	±0.70	
	±1.00	
	±1.30	

DRAWING TYPE	CUSTOMER DRAWING
SCALE	1:1
SHEET	1 OF 1
DRAWING NO.	W10001132

PROJECTION	TITLE
UNIT	KF12EKAM-3.5-XXP-1X
SHEET SIZE	A4
SERIES	KF12EKAM

**DFE** 慈溪市凯峰电子有限公司  
CIXI KAIFENG ELECTRONICS CO.,LTD