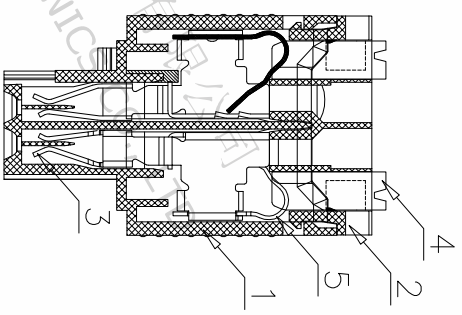
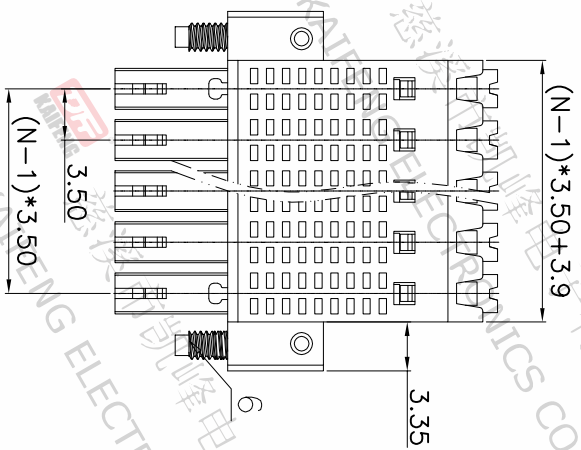
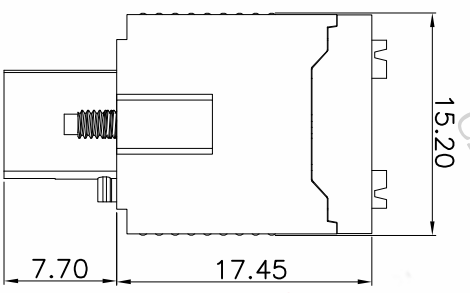
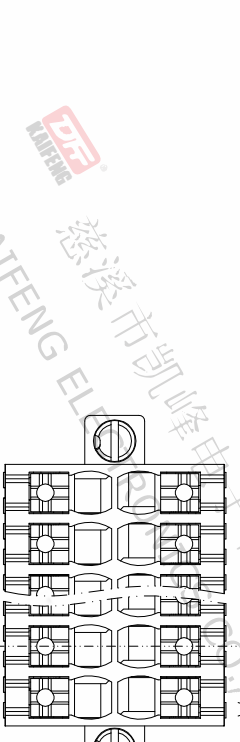


REV.	DESCRIPTION	DATE	DRAFTER	APPROVER
A1	DWG.REL	2020.5.19	ZHANG	JIN



SECTION A-A

- Material
 - ①Housing : PA66, UL94V-0
 - ②Cover : PA66, UL94V-0
 - ③Contact : Copper alloy
 - ④Button : PA66, UL94V-0
 - ⑤Reed : Stainless steel
 - ⑥Screw : M2.0,Steel

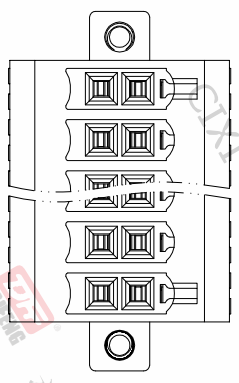
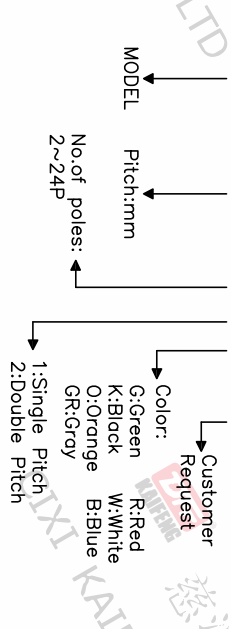
- Electrical

UL	IEC
Rated voltage : 300V	320V
Rated current : 10A	13.4A
Contact resistance : 20mΩ(Max)	
Insulation resistance : 500MΩ/DC500V	
Withstanding Voltage : AC1600V/1min	
Wire range : 28-16AWG 0.2-1.5mm ²	

- Mechanical
 - Operating temperature: -40°C~+105°C
 - Soldering temperature: 250°C±5/5sec
 - Strip length: 10-11mm

• RoHS compliance

HOW TO ORDER
 KF12EDHM-3.5-2*XXP-1X-XXXXX



Pitch range	Nominal dimension range	PROJECTION	UNIT	TITLE
>0	>0	0.1/10	mm	KF12EDHM-3.5-2*XXP-1X
~6	~30			
~10	~60			
~24	~100			
~30	~150			
±0.15	±0.30			
±0.20	±0.50			
±0.30	±0.70			
±1.00	±1.30			
	±2°			

DRAWING TYPE	CUSTOMER DRAWING
SCALE	1:1
SHEET	1 OF 1
DRAWING NO.	W10001962

PROJECTION	UNIT	TITLE
	mm	KF12EDHM-3.5-2*XXP-1X
SHEET SIZE	A4	SERIES KF12EDHM

DFE 慈溪市凯峰电子有限公司
 CIXI KAIFENG ELECTRONICS CO.,LTD

