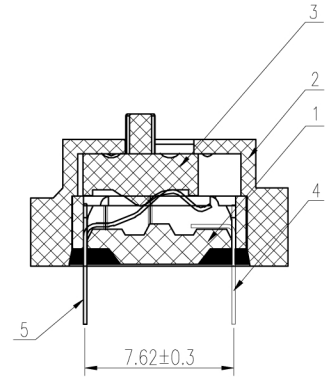
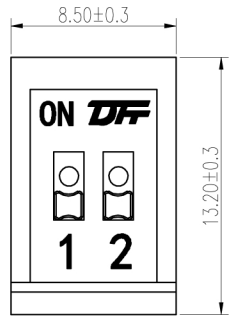
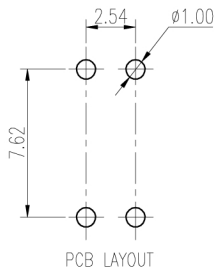


REV	ECN	CONTENT	CHECK	DATE
V0.0		ORIGINAL	LJ	2017.03.12
V1.0		arrange the drawing	ZY	2019.03.04
V2.0		arrange the drawing	WL	2020.05.25



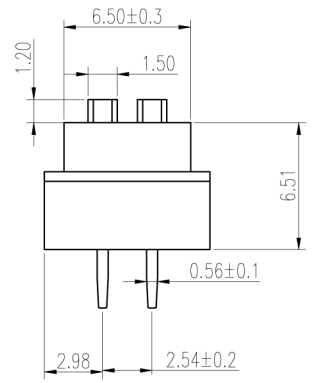
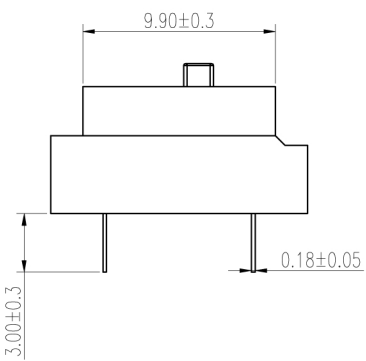
**SPECIFICATION:**

- Rating:
  - Switching: 25mA,24VDC
  - Non-Switching: 100mA,50VDC
- Contact Resistance:
  - Initial: 50mΩmax
  - After Life Test: 100mΩ max
- Insulation Resistant:100MΩ min/500 VDC
- Withstand Voltage:300VAC for 1 minute
- Operation Force:1000g max
- Travl:2.0mm
- Mechanical Life:min 2000 cycles
- Operation Temperature: -40℃~+85℃
- Storage Temperature: -40℃~+85℃
- RoHS Compliance

**SOLDERING INFORMATION:**

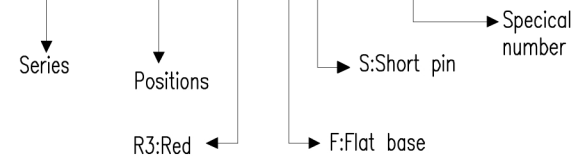
Manual Soldering: 30W iron,320±5℃, 3S max  
 Wave Soldering: 260±5℃,5S max

Keep in "off" position during soldering



**HOW TO ORDER**

KF1005 - 02P - R3 - F S - DFT-01B



**SCHEMATIC(TYP.)**



General tolerance in mm						radii and chamfers			shorter angle side			=	— //		
over 0.5 to 3	over 3 to 6	over 6 to 30	over 30 to 120	over 120 to 400	over 400 to 1000	over 0.5 to 3	over 3 to 6	over 6 to 10	up to 10	over 10 to 50	over 50 to 120	all	over 0 to 100	over 100 to 150	over 150
±0.15	±0.2	±0.25	±0.3	±0.5	±0.8	±0.2	±0.5	±1.0	±1°	±30'	±20'	0.5	0.2	0.3	0.5

ITEM	NAME OF PART	NO. OF PART	Q'TY	MATERIAL	NOTE
5	PIN2	/	2	Coppo Alloy	Gold Plated
4	PIN1	/	2	Coppo Alloy	Gold Plated
3	Actuator	/	2	Thermoplastic	UL94V-0
2	Housing	/	1	Thermoplastic	UL94V-0
1	Base	/	1	Thermoplastic	UL94V-0

APP.	DATE	NAME	KF1005-02P-R3FS-DFT-01B		
CHK.	DATE	DWGNO.	W20000052		
UNITS	MM	SCALE	1:1	SHEET	1/1
				PROJECTION-METHOD	

**DF** 慈溪市凯峰电子有限公司  
 CIXI KAIFENG ELECTRONICS CO., LTD