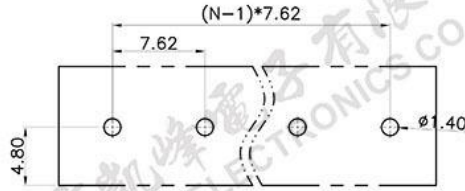
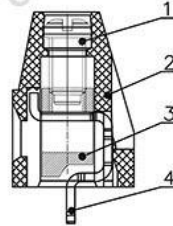
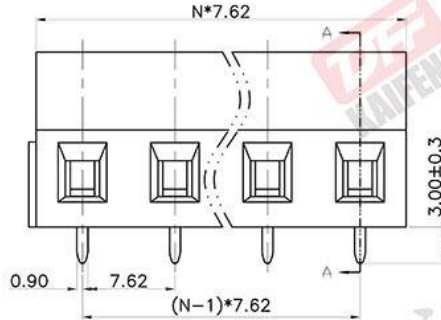
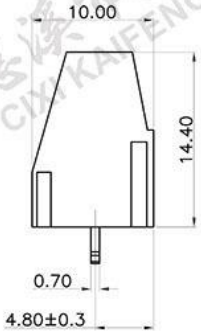


REV.	DESCRIPTION	DATE	DRAFTER	APPROVER
V1.0	DWG.REL	2023.7.17	ZHANG	JIN



- Material
- ØScrew : M3.0 steel, Zinc plated, +/- slot type
- ØHousing : PA66, UL94V-0
- ØClamp : Copper alloy, Ni plated
- ØPin header : Copper alloy, Tin plated

- Electrical
- Rated voltage : 300V
- Rated current : 25A
- Contact Resistance: 20mΩ(Max)
- Insulation resistance: 500MΩ/DC500V
- Withstanding Voltage : AC2000V/1min
- Wire range: 24-12AWG 4.0mm<sup>2</sup>

- Mechanical
- Operating temperature: -40°C~+105°C
- Soldering temperature: 250°C±5/5sec
- Torque: 0.5N.m (4.43Lb.in)
- Strip length: 6-7mm

- Conform to REACH and RoHS

HOW TO ORDER  
**KF128V-5.08-XXP-1 X-XXXX** Customer Request

MODEL Pitch:mm  
 No. of poles: 2~24P

Color:  
 G:Green R:Red  
 K:Black W:White  
 O:Orange B:Blue  
 GR:Gray

1:Single Pitch  
 2:Double Pitch

Pitch range	Nominal dimension range	PROJECTION	UNIT	TITLE
>0	>0	0.1/10	mm	KF128V-7.62-XXP-1X
~6	>30	<	A4	SERIES KF128
~10	>60			
~24	>100			
±0.15	±1.00	±2°		
±0.20	±1.30			
±0.30	±1.00			
±0.30	±1.00			
±0.50	±1.00			
±0.70	±1.00			
±1.00	±1.30			
±2°				
DRAWING TYPE		CUSTOMER DRAWING		
SCALE		1:1 SHEET 1/1		
DRAWING NO.		W15002472		

**DF** 慈溪市凯峰电子有限公司  
 CIXI KAIFENG ELECTRONICS CO.,LTD