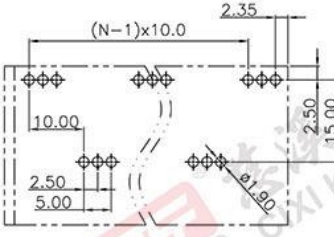
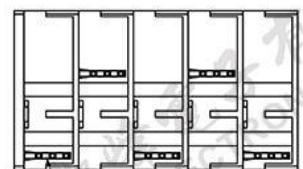
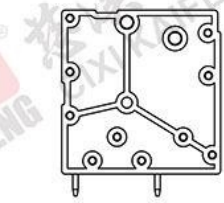
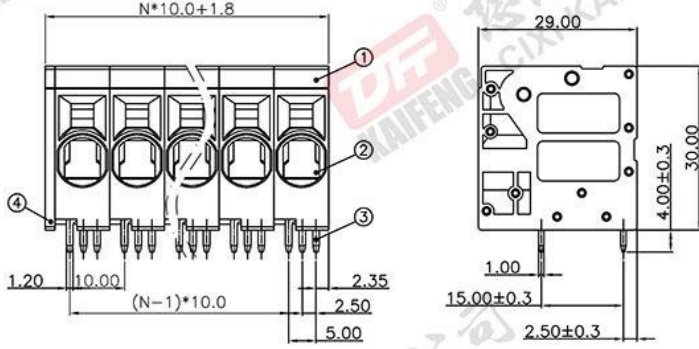
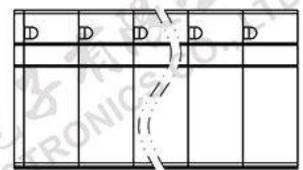


REV.	DESCRIPTION	DATE	DRAFTER	APPROVER
V1.0	DWG.REL	2024.4.26	ZHANG	JIN



The first pin header from the left is behind

- Material
 - ØHousing : PA66, UL94V-0
 - ØReed : Stainless steel
 - ØPin header :Copper alloy, Tin plated
 - ØCover : PA66, UL94V-0
- Electrical

UL	IEC
Rated voltage : 300V	1000V
Rated current : 70A	76A
Contact resistance : 20mΩ(Max)	
Insulation resistance : 500MΩ/DC500V	
Withstanding Voltage : AC3500V/1min	
Wire range : 20-4AWG;0.75-16mm ²	
- Mechanical
 - Operating temperature:-40℃~+105℃
 - Soldering temperature:250℃±5/5sec
 - Strip length: 17-18mm
- Conform to REACH and RoHS

HOW TO ORDER
 2KF029R-DA-10.0-XXP-1 X-XXXXX
 MODEL Pitch:mm Color: Customer Request
 No.of poles: 1~99P 1:Single Pitch 2:Double Pitch

Pitch range	Nominal dimension range	PROJECTION	TITLE
>0	>6	0.1/10	2KF029R-DA-10.0-XXP-1X
~6	~24		SHEET SIZE A4
±0.15	±0.20		SERIES 2KF029-DA
DRAWING TYPE CUSTOMER DRAWING		慈溪市凯峰电子有限公司	
SCALE 1:1 SHEET 1/1		CIXI KAIFENG ELECTRONICS CO.,LTD	
DRAWING NO. W11001172			

P.C.B.LAYOUT