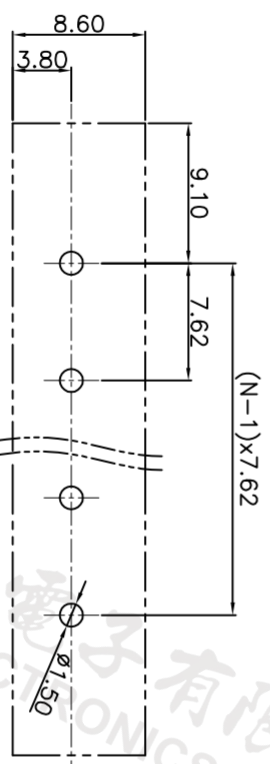
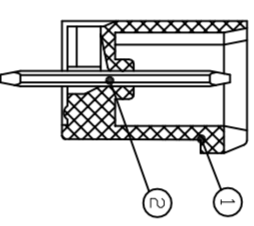
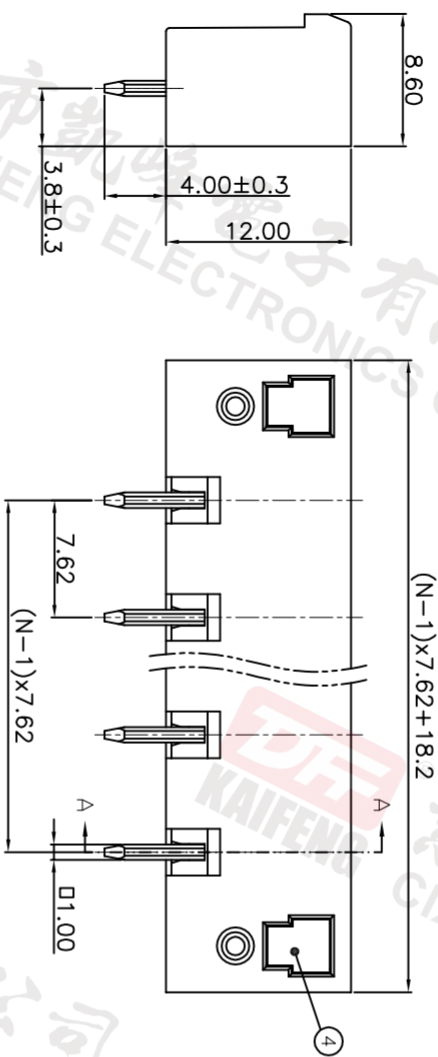
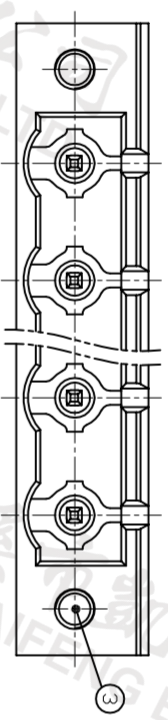


REV.	DESCRIPTION	DATE	DRAFTER	APPROVER
V1.0	DWG.REL	2023.8.26	ZHANG	JIN



P.C.B.LAYOUT

Pitch range	Nominal dimension range	PROJECTION
>0	>0	0.1/10
>6	>30	□
~	~	□
6	60	□
~	~	□
10	100	□
~	~	□
24	150	□
±0.15	±0.30	□
±0.30	±0.50	□
±0.50	±0.70	□
±1.00	±1.30	□
±2*	±2*	□

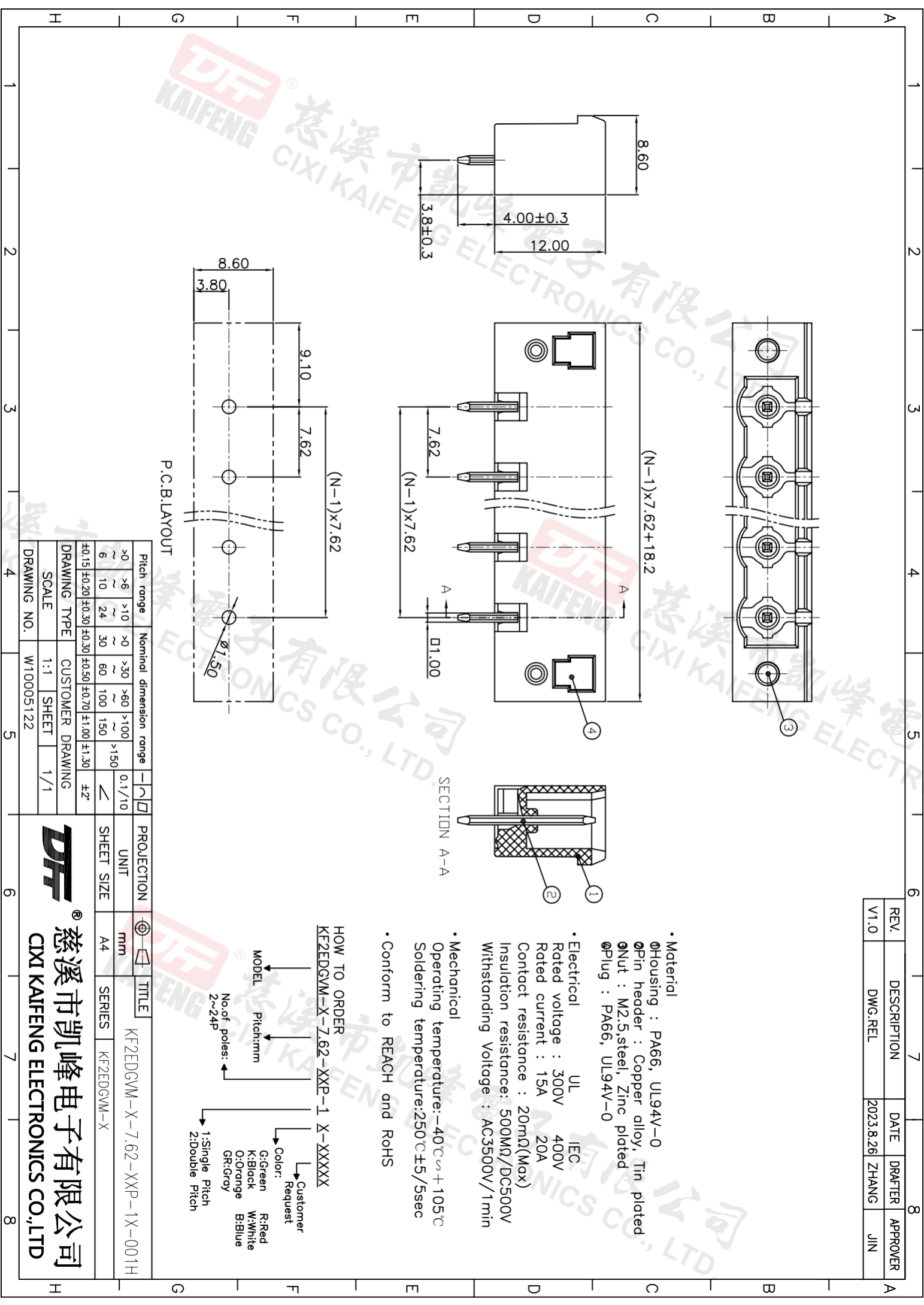
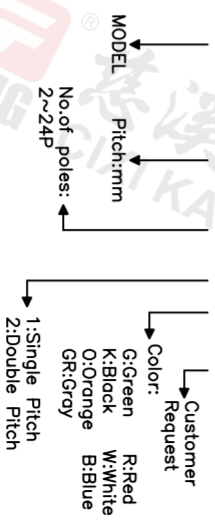
DRAWING TYPE	CUSTOMER DRAWING
SCALE	1:1
SHEET	1/1
DRAWING NO.	W10005122

PROJECTION	UNIT	TITLE
□	mm	KF2EDGVM-X-7.62-XXP-1X-001H
□	A4	SERIES KF2EDGVM-X

- Material
 - ①Housing : PA66, UL94V-0
 - ②Pin header : Copper alloy, Tin plated
 - ③Nut : M2.5,steel, Zinc plated
 - ④Plug : PA66, UL94V-0
- Electrical

UL	IEC
Rated voltage : 300V	400V
Rated current : 15A	20A
Contact resistance : 20mΩ(Max)	
Insulation resistance : 500MΩ/DC500V	
Withstanding Voltage : AC3500V/1min	
- Mechanical
 - Operating temperature: -40℃~+105℃
 - Soldering temperature: 250℃±5/5sec
- Conform to REACH and RoHS

HOW TO ORDER
KF2EDGVM-X-7.62-XXP-1 X-XXXXX



DFE 慈溪市凯峰电子有限公司
CIXI KAIFENG ELECTRONICS CO.,LTD