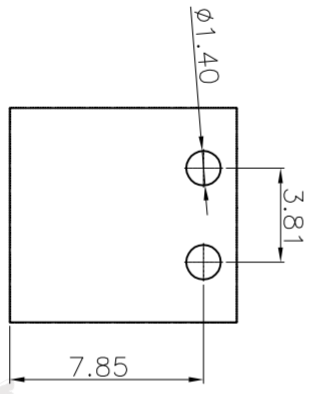
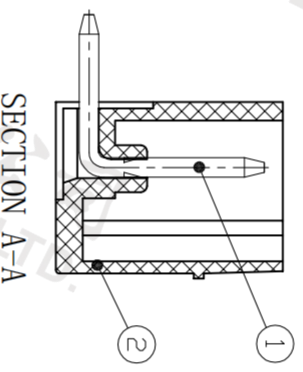
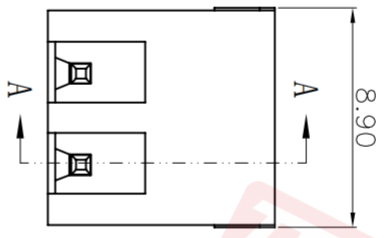
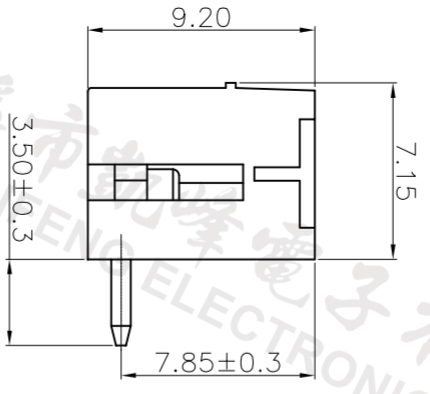
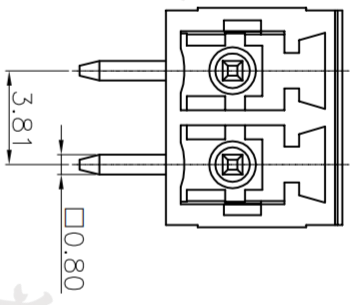


REV.	DESCRIPTION	DATE	DRAFTER	APPROVER
V1.0	DWG.REL	2023.7.28	ZHANG	JIN



P.C.B LAYOUT

Pitch range	Nominal dimension range	PROJECTION
>0	>0	0.1/10
>6	>30	□
~	~	□
6	30	□
~	~	□
10	60	□
~	~	□
24	100	□
~	~	□
±0.15	±0.30	□
~	~	□
±0.30	±0.50	□
~	~	□
±0.70	±1.00	□
~	~	□
±1.30	±1.30	□
~	~	□
±2°	±2°	□

DRAWING TYPE	CUSTOMER DRAWING	PROJECTION	UNIT	TITLE
SCALE	1:1	SHEET	1 OF 1	
DRAWING NO.	W10004802	SHEET SIZE	A4	SERIES
				KF2EDGR-Y

DF 慈溪市凯峰电子有限公司
CIXI KAIFENG ELECTRONICS CO.,LTD

- Material
 ØPin header : Copper alloy,Tin plated
 ØHousing : PA66, UL94V-0

- Electrical
 Rated voltage : 300V
 Rated current : 8A
 Contact resistance : 20mΩ(Max)
 Insulation resistance: 500MΩ/DC500V
 Withstanding Voltage : AC1600V/1min

- Mechanical
 Operating temperature:-40℃~+105℃
 Soldering temperature:250℃±5/5sec
- Conform to REACH and RoHS

HOW TO ORDER
 KF2EDGR-Y-3.81-XXP-1 X-XXXXX

MODEL Pitch:mm
 No.of poles: 2P

Customer Request
 Color:
 G:Green R:Red
 K:Black W:White
 O:Orange B:Blue
 GR:Gray

1:Single Pitch
 2:Double Pitch