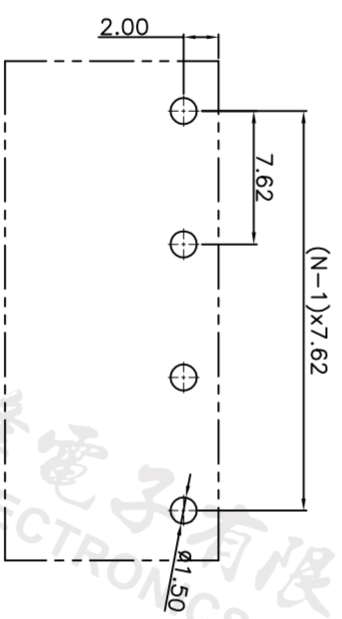
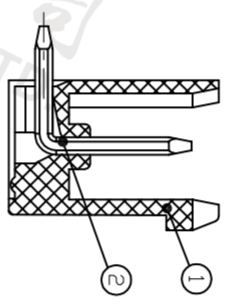
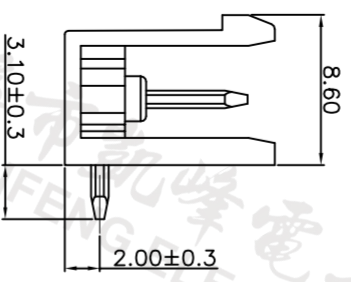
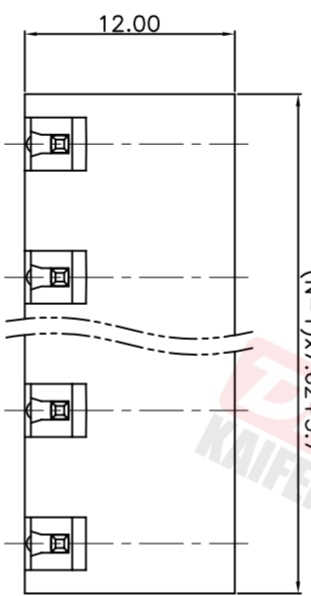
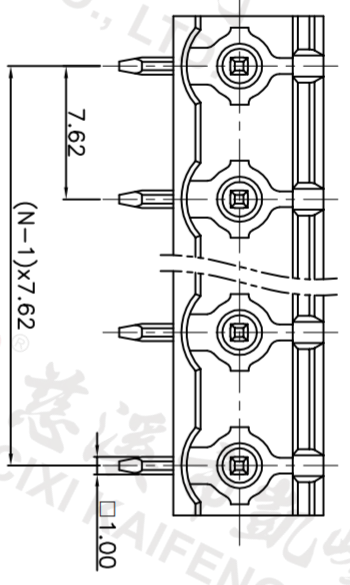


REV.	DESCRIPTION	DATE	DRAFTER	APPROVER
V1.0	DWG.REL	2023.7.25	ZHANG	JIN



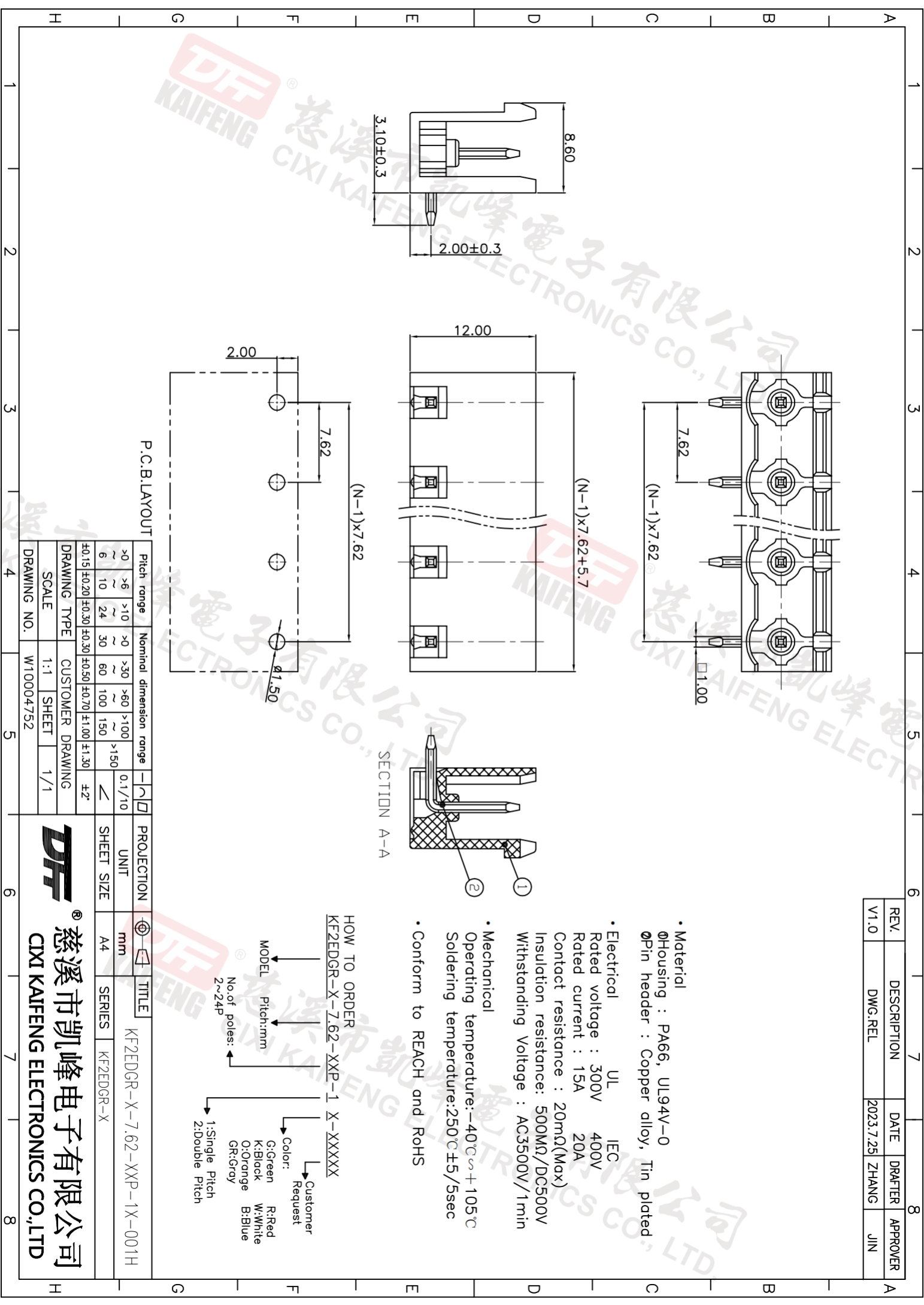
P.C.B.LAYOUT

Pitch range	Nominal dimension range	PROJECTION
>0	>6	0.1/10
~	~	□
6	10	□
~	~	□
24	30	□
±0.15	±0.20	□
±0.30	±0.30	□
±0.50	±0.50	□
±0.70	±1.00	□
±1.30	±1.30	□
±2*	±2*	□

DRAWING TYPE	CUSTOMER DRAWING	DRAWING NO.	W10004752
SCALE	1:1	SHEET	1/1
PROJECTION		UNIT	mm
TITLE		SHEET SIZE	A4
MODEL		SERIES	KF2EDGR-X
Pitch:mm			
No. of poles:			
Color:			
Customer Request			
1:Single Pitch			
2:Double Pitch			

HOW TO ORDER  
KF2EDGR-X-7.62-XXP-1 X-XXXXX

- Material  
①Housing : PA66, UL94V-0  
②Pin header : Copper alloy, Tin plated
- Electrical  
UL IEC  
Rated voltage : 300V 400V  
Rated current : 15A 20A  
Contact resistance : 20mΩ(Max)  
Insulation resistance: 500MΩ/DC500V  
Withstanding Voltage : AC3500V/1min
- Mechanical  
Operating temperature: -40°C~+105°C  
Soldering temperature: 250°C±5/5sec
- Conform to REACH and RoHS



慈溪市凯峰电子有限公司  
CIXI KAIFENG ELECTRONICS CO., LTD

DFE  
慈溪市凯峰电子有限公司  
CIXI KAIFENG ELECTRONICS CO.,LTD