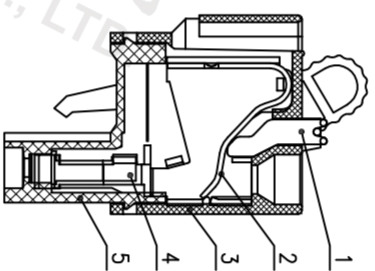
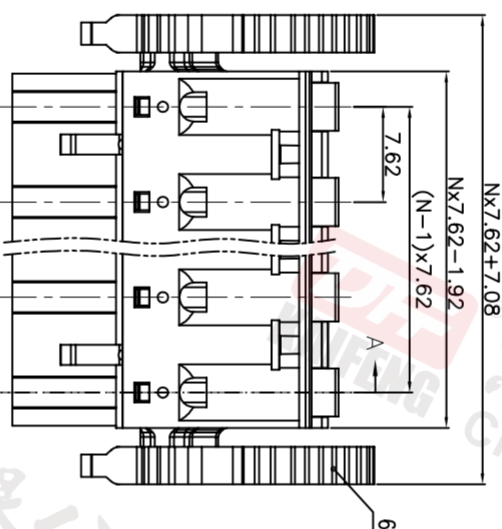
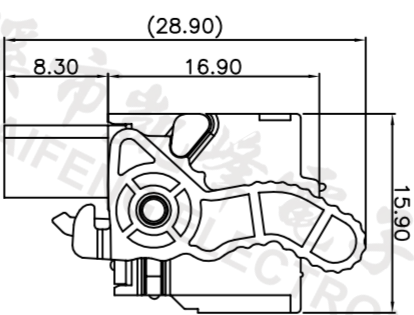
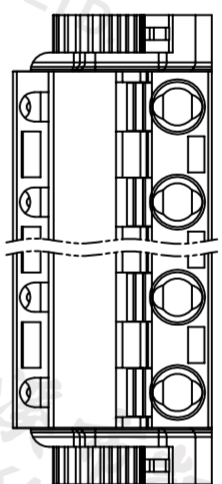
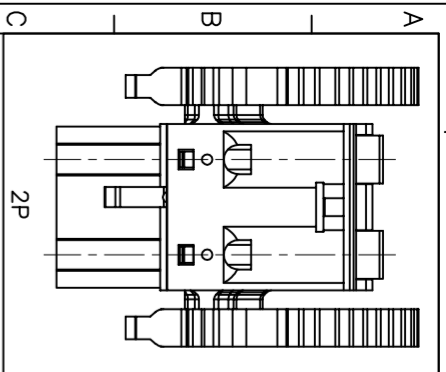
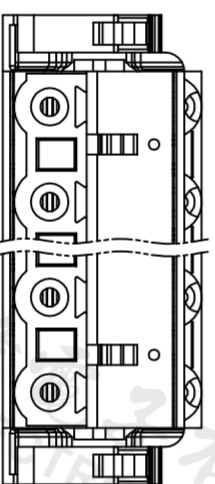


REV.	DESCRIPTION	DATE	DRAFTER	APPROVER
V1.0	DWG.REL	2023.7.27	ZHANG	JIN



SECTION A-A



- Material
 - ØButton : PA66, UL94V-0
 - ØReed : Stainless steel
 - ØHousing : PA66, UL94V-0
 - ØContact : Copper alloy,Tin plated
 - ØCover : PA66, UL94V-0
 - ØSpanner : PA66, UL94V-0
- Electrical
 - UL IEC
 - Rated voltage : 300V 400V
 - Rated current : 15A 20A
 - Contact resistance : 20mΩ(Max)
 - Insulation resistance: 500MΩ/DC500V
 - Withstanding Voltage : AC3000V/1min
 - Wire range: 28-14AWG;0.2-2.5mm²
- Mechanical
 - Operating temperature:-40℃~+105℃
 - Soldering temperature:250℃±5/5sec
 - Strip length: 10-11mm
- Conform to REACH and RoHS

HOW TO ORDER
 KF2EDGKD-7.62-XXP-1X-XXXXX

MODEL Pitch:mm
 No.of poles: 2~24P

Color: Requester
 G:Green R:Red
 K:Black W:White
 O:Orange B:Blue
 GR:Grey

1:Single Pitch
 2:Double Pitch

Pitch range	Nominal dimension range	PROJECTION
>0	>0	0.1/10
>6	>30	
~6	~60	
~10	~100	
~24	~150	
±0.15 ±0.20	±0.30 ±0.50 ±0.70 ±1.00 ±1.30	±2°

DRAWING TYPE	CUSTOMER DRAWING	SHEET SIZE	TITLE
SCALE	1:1	A4	KF2EDGKD-7.62-XXP-1X-001F
DRAWING NO.	W10004772		

DF 慈溪市凯峰电子有限公司
 CIXI KAIFENG ELECTRONICS CO.,LTD



慈溪市凯峰电子有限公司
 CIXI KAIFENG ELECTRONICS CO., LTD