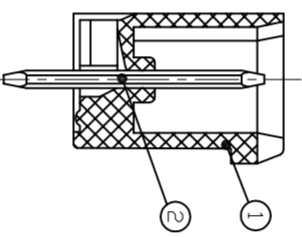
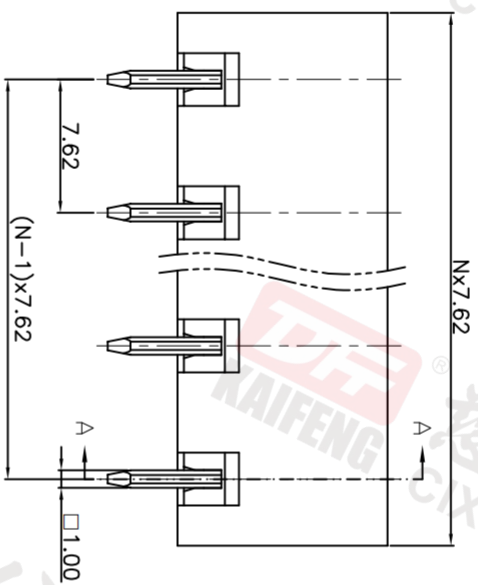
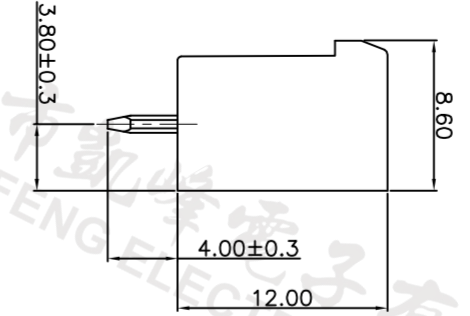
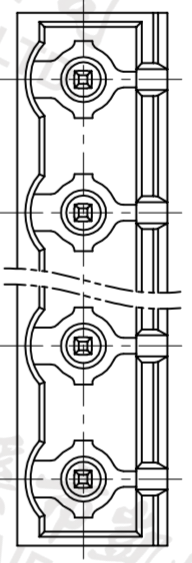
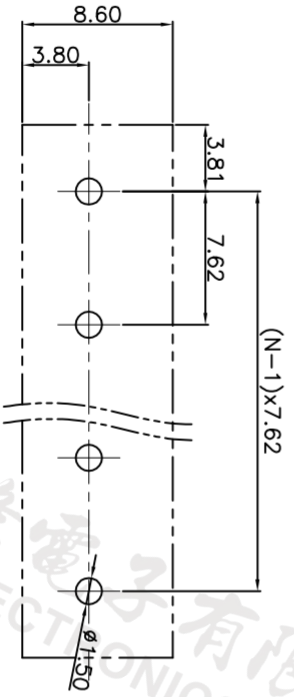


REV.	DESCRIPTION	DATE	DRAFTER	APPROVER
V1.0	DWG.REL	2023.7.25	ZHANG	JIN



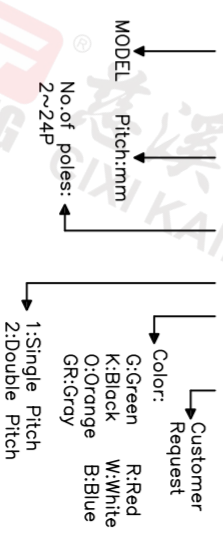
SECTION A-A

- Material
 @Housing : PA66, UL94V-0
 @Pin header : Copper alloy, Tin plated
- Electrical
 UL IEC
 Rated voltage : 300V 400V
 Rated current : 15A 20A
 Contact resistance : 20mΩ(Max)
 Insulation resistance: 500MΩ/DC500V
 Withstanding Voltage : AC3500V/1min
- Mechanical
 Operating temperature: -40°C~+105°C
 Soldering temperature: 250°C±5/5sec
- Conform to REACH and RoHS



P.C.B. LAYOUT

HOW TO ORDER
 KF2EDGCV-X-7.62-XXP-1 X-XXXXX



Pitch range	Nominal dimension range	Projection	UNIT
>0	>6	0.1/10	mm
~6	~10		
~10	~24		
±0.15	±0.20		
±0.30	±0.30		
±0.50	±0.50		
±0.70	±1.00		
±1.00	±1.30		
±1.50	±2.0		

DRAWING TYPE	CUSTOMER DRAWING
SCALE	1:1
SHEET	1/1
DRAWING NO.	W10004742

PROJECTION	TITLE
UNIT	
SHEET SIZE	A4
SERIES	KF2EDGCV-X
	KF2EDGCV-X-7.62-XXP-1X-001H

DF 慈溪市凯峰电子有限公司
 CIXI KAIFENG ELECTRONICS CO.,LTD