

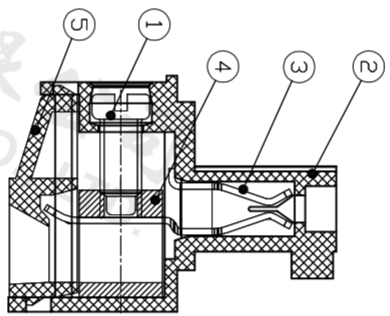
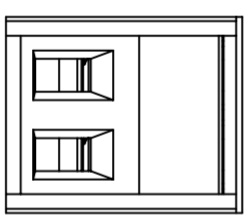
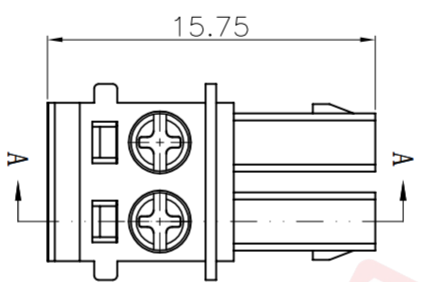
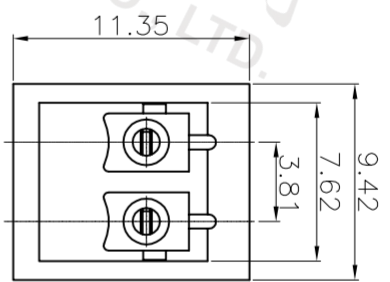
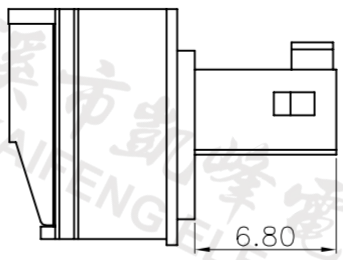
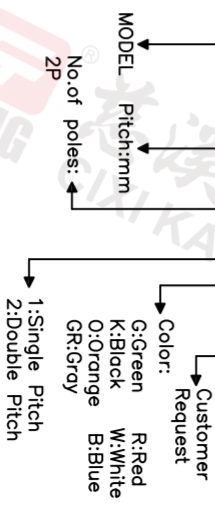
REV.	DESCRIPTION	DATE	DRAFTER	APPROVER
V1.0	DWG.REL	2023.7.28	ZHANG	JIN

- Material
 - ①Screw : M2.0 steel, Zinc plated, *+/-* slot type
 - ②Housing : PA66, UL94V-0
 - ③Contact : Copper alloy, Tin plated
 - ④Clamp : Copper alloy, Ni plated
 - ⑤Cover : PA66, UL94V-0

- Electrical
 - Rated voltage : 300V
 - Rated current : 8A
 - Contact resistance : 20mΩ(Max)
 - Insulation resistance : 500MΩ/DC500V
 - Withstanding Voltage : AC2000V/1min
 - Wire range : 28-16AWG 0.5-1.5mm²

- Mechanical
 - Operating temperature: -40°C ~ +105°C
 - Soldering temperature: 250°C ±5/5sec
 - Torque : 0.2N.m (1.77Lb.in)
 - Strip length: 6-7mm
- Conform to REACH and RoHS

HOW TO ORDER
 KEF2EDG-Y-3.81-XXP-1 X-XXXXX



SECTION A-A

Pitch range	Nominal dimension range	PROJECTION
>0	>0	0.1/10
>6	>30	□
~	>60	□
~	>100	□
~	>150	□
6	30	□
10	60	□
24	100	□
±0.15 ±0.20 ±0.30 ±0.50 ±0.70 ±1.00 ±1.30	±0.30 ±0.50 ±0.70 ±1.00 ±1.30	□

DRAWING TYPE	SCALE	SHEET	OF
CUSTOMER DRAWING	1:1	1	1

DRAWING NO. W10004792

TITLE	PROJECTION	UNIT	SHEET SIZE	SERIES
KEF2EDG-Y-3.81-2P-1G-001F	1st Angle	mm	A4	KEF2EDG-Y

DF 慈溪市凯峰电子有限公司
 CIXI KAIFENG ELECTRONICS CO.,LTD



慈溪市凯峰电子有限公司
 CIXI KAIFENG ELECTRONICS CO.,LTD