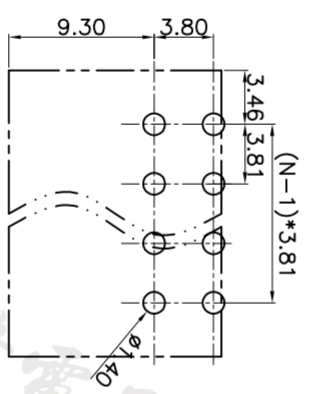
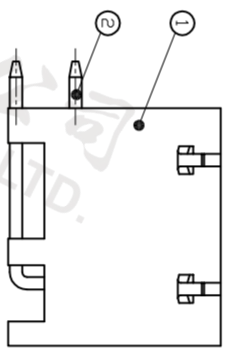
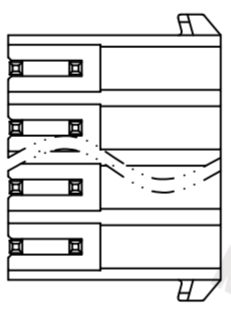
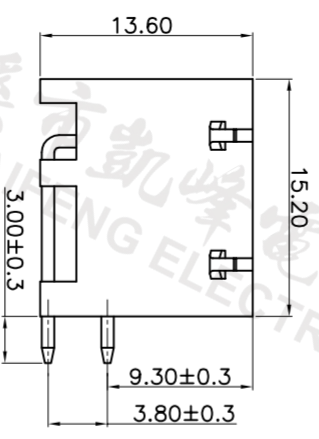
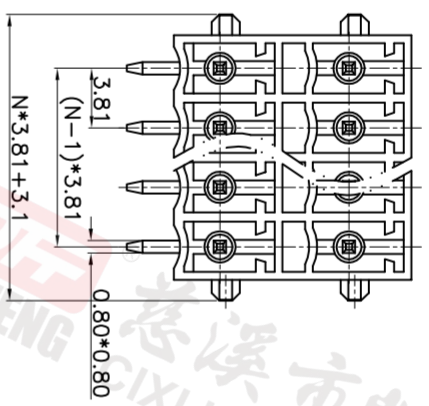


REV.	DESCRIPTION	DATE	DRAFTER	APPROVER
V1.0	DWG.REL	2023.8.26	ZHANG	JIN



P.C.B.LAYOUT

Pitch range	Nominal dimension range	PROJECTION
>0	>0	0.1/10
>6	>30	□
>10	>60	□
~	~	□
6	30	□
10	60	□
24	100	□
±0.15	±0.30	□
±0.20	±0.50	□
±0.30	±0.70	□
±0.50	±1.00	□
±1.00	±1.30	□
±2°	±2°	□

PROJECTION UNIT

SHEET SIZE A4

TITLE
KF12EKN-R-3.81-2*XXP-1X-RK

SERIES KF12EKN-R



慈溪市凯峰电子有限公司
CIXI KAIFENG ELECTRONICS CO.,LTD

- Material
 ØHousing : PA66, UL94V-0
 Pin header : Copper alloy, Tin plated

- Electrical UL IEC
 Rated voltage : 300V 250V
 Rated current : 8A 7A
 Contact resistance : 20mΩ(Max)
 Insulation resistance: 500MΩ/DC500V
 Withstanding Voltage : AC1500V/1min

- Mechanical
 Operating temperature: -40℃~+105℃
 Soldering temperature: 250℃±5/5sec

- Conform to REACH and RoHS

