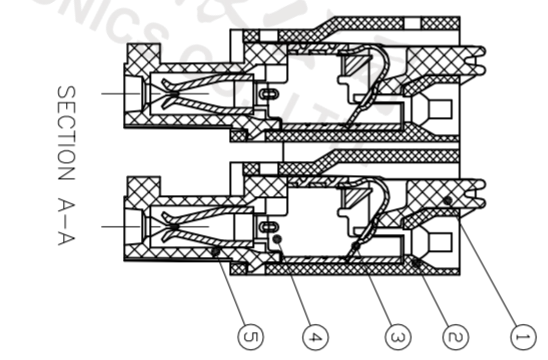
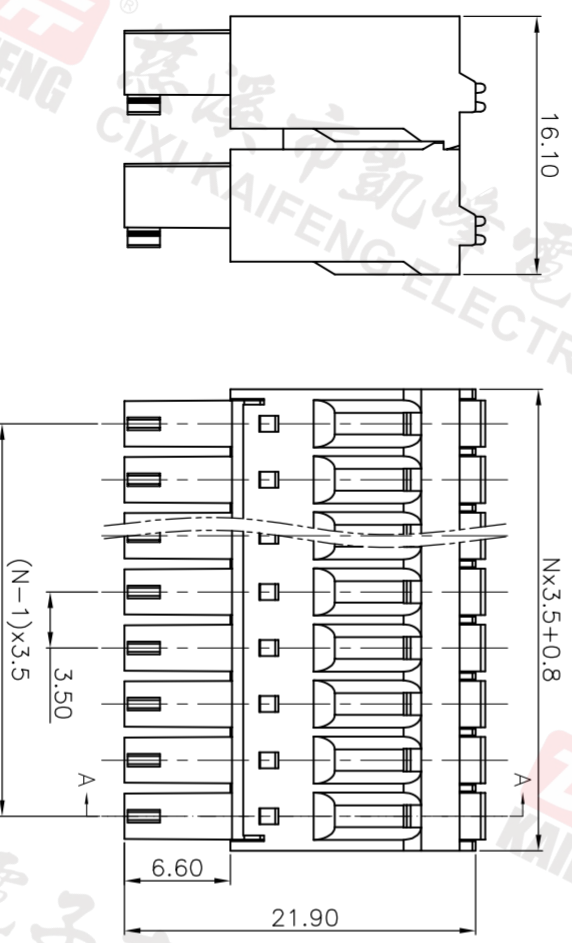
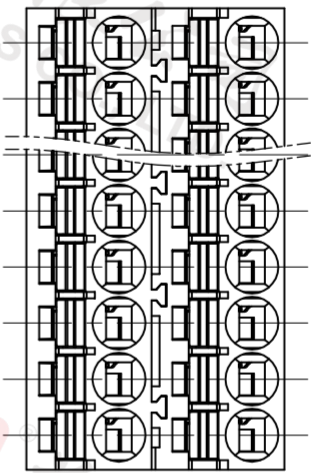


REV.	DESCRIPTION	DATE	DRAFTER	APPROVER
V1.0	DWG.REL	2022.10.26	ZHANG	JIN



- Material
 - ⊙Button : POM
 - ⊙Housing : PA66, UL94V-0
 - ⊙Reed : Stainless steel
 - ⊙Contact : Copper alloy, Tin plated
 - ⊙Cover : PA66, UL94V-0

- Electrical

UL	IEC
Rated voltage : 300V	250V
Rated current : 8A	7A
Contact resistance : 20mΩ(Max)	
Insulation resistance: 500MΩ/DC500V	
Withstanding Voltage : AC1500V/1min	
Wire range: 24-16AWG;0.5-1.5mm ²	

- Mechanical
 - Operating temperature: -40℃~+105℃
 - Soldering temperature: 250℃±5/5sec
 - Strip length: 8-9mm
- Conform to REACH and RoHS

HOW TO ORDER
 KF12EKN-3.5-2*XXP-1 X-XXXXX

MODEL Pitch:mm
 No.of poles:
 2P~24P

Color:
 G:Green
 K:Black
 O:Orange
 GR:Gray

Customer Request
 R:Red
 W:White
 B:Blue

1:Single Pitch
 2:Double Pitch

Pitch range	Nominal dimension range	PROJECTION
>0	>0	0.1/10
~6	>30	□
~10	>60	□
~24	>100	□
±0.15	>150	□
±0.20	±0.30	□
±0.30	±0.50	□
±0.70	±1.00	□
±1.30	±1.30	□
		±2°

PROJECTION UNIT mm

SHEET SIZE A4

SERIES KF12EKN

TITLE KF12EKN-3.5-2*XXP-1X

SCALE 1:1 SHEET 1 OF 1

DRAWING NO. W10003142

DF 慈溪市凯峰电子有限公司
 CIXI KAIFENG ELECTRONICS CO.,LTD