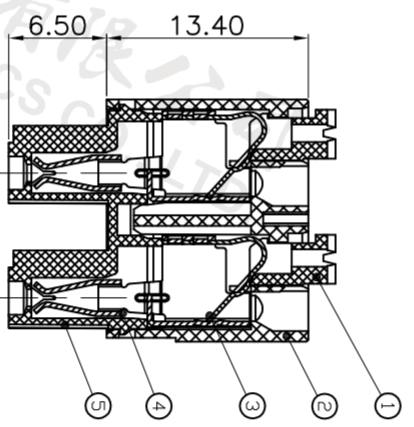
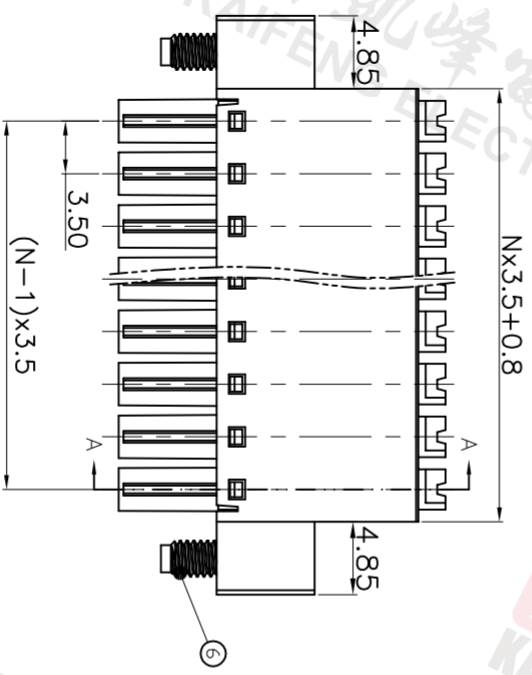
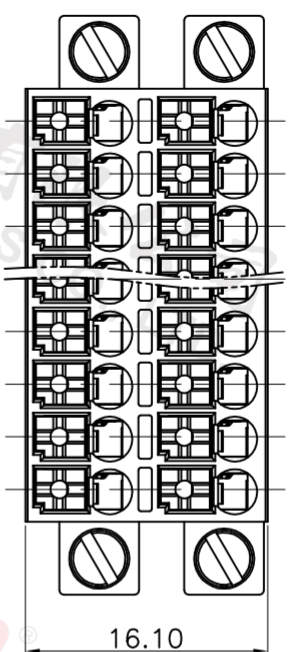


REV.	DESCRIPTION	DATE	DRAFTER	APPROVER
V1.0	DWG.REL	2023.7.28	ZHANG	JIN



- Material
 - ⊙Button : PA66, UL94V-0
 - ⊙Housing : PA66, UL94V-0
 - ⊙Reed : Stainless steel
 - ⊙Contact : Copper alloy, Tin plated
 - ⊙Cover : PA66, UL94V-0
 - ⊙Screw : M2.5 steel, Zinc plated

- Electrical

UL	IEC
Rated voltage : 300V	320V
Rated current : 10A	17.5A
Contact resistance : 20mΩ(Max)	
Insulation resistance : 500MΩ/DC500V	
Withstanding Voltage : AC1600V/1min	
Wire range : 26-16AWG, 0.14-1.5mm ²	

- Mechanical
 - Operating temperature: -40℃ ~ +105℃
 - Soldering temperature: 250℃ ± 5 / 5sec
 - Strip length: 8-9mm
- Conform to REACH and RoHS

HOW TO ORDER
 2KF015M-3.5-2*XXP-1 X-XXXXX

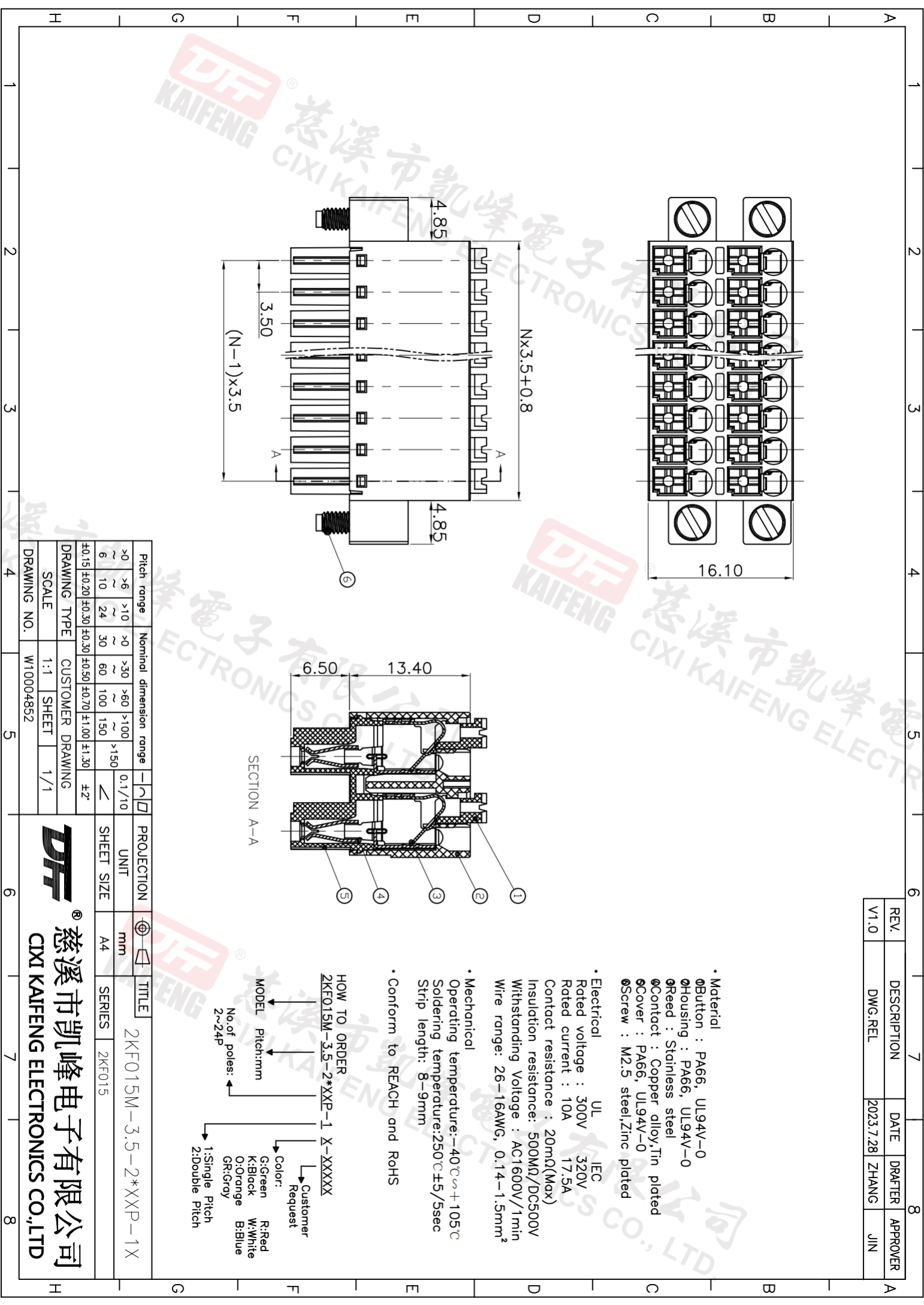
MODEL Pitch:mm
 No. of poles: 2~24P

Color: Request
 G:Green R:Red
 K:Black W:White
 O:Orange B:Blue
 GR:Gray

1:Single Pitch
 2:Double Pitch

Pitch range	Nominal dimension range	PROJECTION	TITLE
>0	>0	0.1/10	UNIT
~6	~30	mm	SHEET SIZE
~10	~60	A4	SERIES
~24	~100		2KF015
~30	~150		2KF015M-3.5-2*XXP-1X
±0.15	±0.30	±2°	
±0.20	±0.50		
±0.30	±0.70		
±1.00	±1.30		
±1.30			

DRAWING TYPE	CUSTOMER DRAWING
SCALE	1:1 SHEET 1/1
DRAWING NO.	W10004852



慈溪市凯峰电子有限公司
 CIXI KAIFENG ELECTRONICS CO., LTD



慈溪市凯峰电子有限公司
 CIXI KAIFENG ELECTRONICS CO., LTD

DFE 慈溪市凯峰电子有限公司
 CIXI KAIFENG ELECTRONICS CO.,LTD