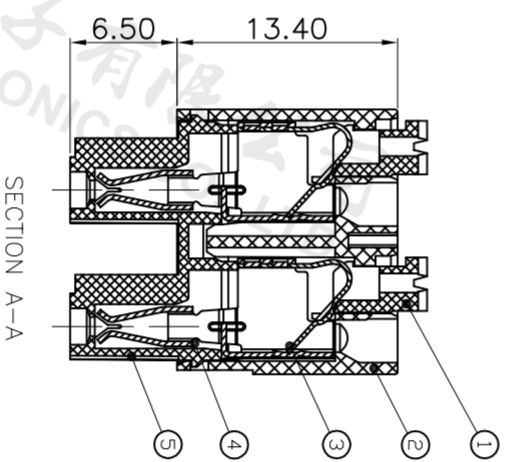
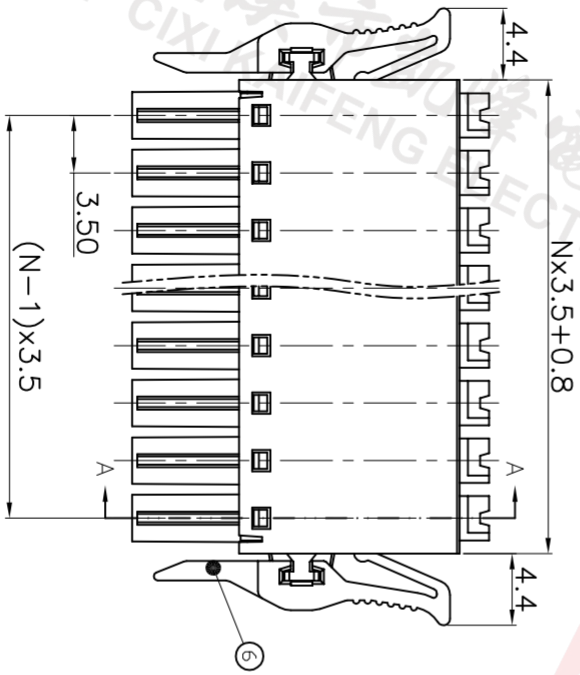
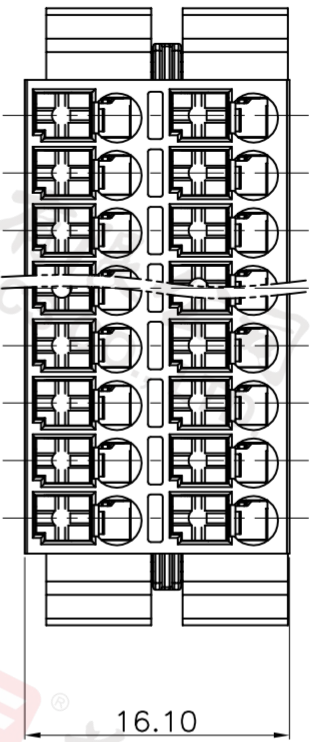


REV.	DESCRIPTION	DATE	DRAFTER	APPROVER
V1.0	DWG.REL	2021.3.11	ZHANG	JIN



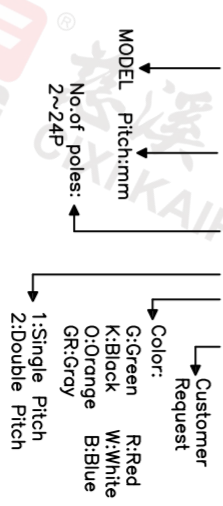
- Material
  - ØButton : PA66, UL94V-0
  - ØHousing : PA66, UL94V-0
  - ØReed : Stainless steel
  - ØContact : Copper alloy, Tin plated
  - ØCover : PA66, UL94V-0
  - ØClip : PA66, UL94V-0

- Electrical
 

UL	IEC
Rated voltage : 300V	320V
Rated current : 10A	17.5A
Contact resistance : 20mΩ(Max)	
Insulation resistance : 500MΩ/DC500V	
Withstanding Voltage : AC1600V/1min	
Wire range : 26-16AWG 0.14-1.5mm <sup>2</sup>	

- Mechanical
  - Operating temperature: -40°C ~ +105°C
  - Soldering temperature: 250°C ±5/5sec
  - Strip length: 8-9mm
- Conform to REACH and RoHS

HOW TO ORDER  
2KF015K-3.5-2\*XXP-1 X-XXXXX



Pitch range	Nominal dimension range	PROJECTION
>0	>0	0.1/10
>6	>30	
~	~	
6	60	
~	~	
10	100	
~	~	
24	150	
±0.15	±0.30	±2°
	±0.30	
	±0.50	
	±0.70	
	±1.00	
	±1.30	

PROJECTION UNIT mm

SHEET SIZE A4

SERIES 2KF015

TITLE 2KF015K-3.5-2\*XXP-1X

SCALE 1:1 SHEET 1 OF 1

DRAWING NO. W10004842

**DF** 慈溪市凯峰电子有限公司  
CIXI KAIFENG ELECTRONICS CO.,LTD