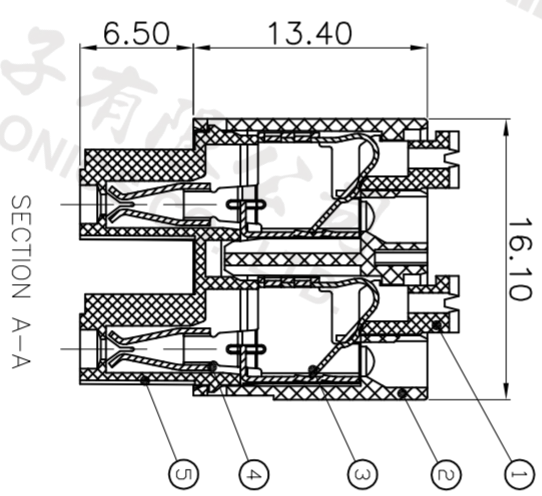
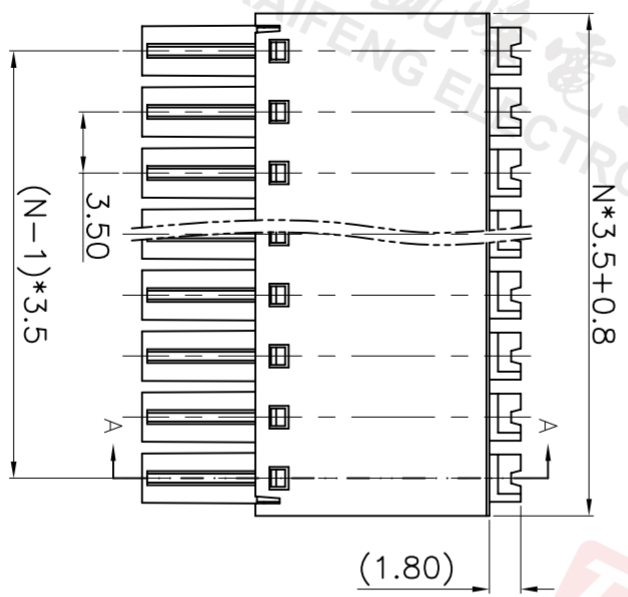
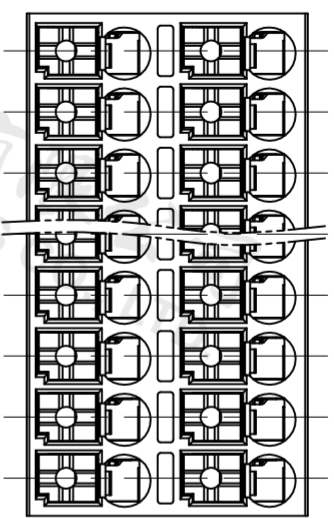


REV.	DESCRIPTION	DATE	DRAFTER	APPROVER
V1.0	DWG.REL	2020.11.27	ZHANG	JIN



- Material
 - ⊕Button : PA66, UL94V-0
 - ⊙Housing : PA66, UL94V-0
 - ⊗Reed : Stainless steel
 - ⊙Contact : Copper alloy, Tin plated
 - ⊕Cover : PA66, UL94V-0

- Electrical

UL	IEC
Rated voltage : 300V	320V
Rated current : 10A	17.5A
Contact resistance : 20mΩ(Max)	
Insulation resistance: 500MΩ/DC500V	
Withstanding Voltage : AC1600V/1min	
Wire range: 26-16AWG 0.14-1.5mm ²	

- Mechanical
 - Operating temperature: -40°C~+105°C
 - Soldering temperature: 250°C±5/5sec
 - Strip length: 8-9mm
- Conform to REACH and RoHS

HOW TO ORDER
 2KF015-3.5-2*XXP-1 X-XXXXX

MODEL Pitch:mm
 No.of poles:
 2~24P

Color: Customer Request
 G:Green R:Red
 K:Black W:White
 O:Orange B:Blue
 GR:Gray

1:Single Pitch
 2:Double Pitch

Pitch range	Nominal dimension range	PROJECTION	TITLE
>0	>0	0.1/10	2KF015-3.5-2*XXP-1X
~6	~>6	mm	
~10	~>10		
~24	~>24		
±0.15	±0.30		
	±0.30		
	±0.50		
	±0.70		
	±1.00		
	±1.30		
	±2*		

DRAWING TYPE	CUSTOMER DRAWING
SCALE	1:1 SHEET 1 OF 1
DRAWING NO.	W10004832

SHEET SIZE	A4
SERIES	2KF015

DF 慈溪市凯峰电子有限公司
 CIXI KAIFENG ELECTRONICS CO.,LTD



慈溪市凯峰电子有限公司
 CIXI KAIFENG ELECTRONICS CO., LTD