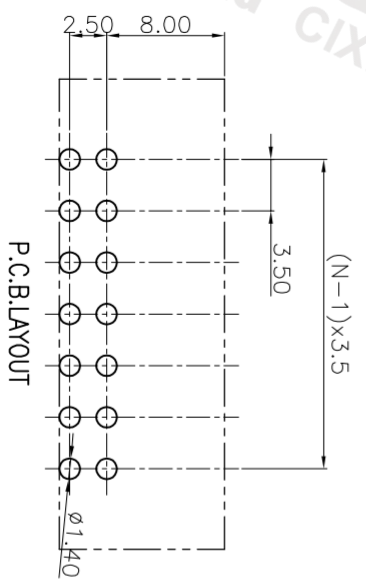
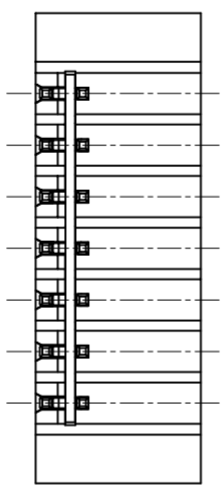
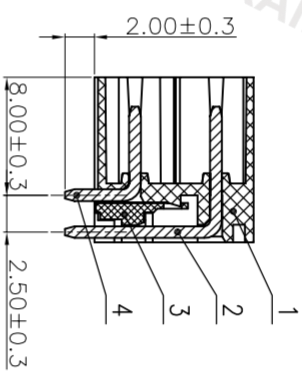
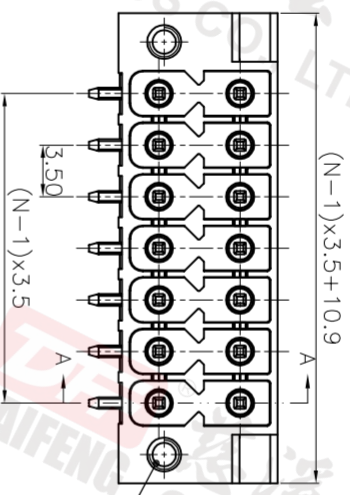
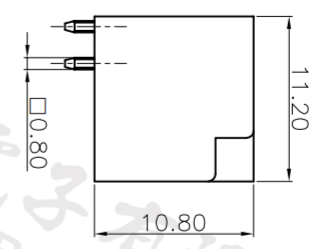
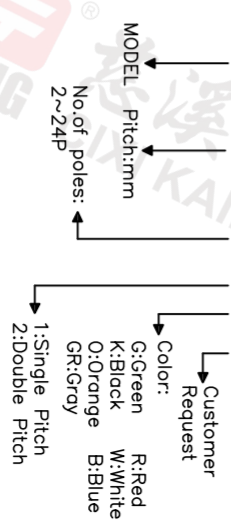


| REV. | DESCRIPTION | DATE | DRAFTER | APPROVER |
|------|-------------|-----------|---------|----------|
| V1.0 | DWG.REL | 2022.5.12 | ZHANG | JIN |



- Material
 - ① Housing : LCP, UL94V-0
 - ② Pin header 1 : Copper alloy, Tin plated
 - ③ Spacer : LCP, UL94V-0
 - ④ Pin header 2 : Copper alloy, Tin plated
 - ⑤ Nut : M2.0 Steel, Zinc plated
- Electrical
 - UL IEC
 - Rated voltage : 150V 250V
 - Rated current : 8A 8A
 - Contact resistance : 20mΩ(Max)
 - Insulation resistance: 500MΩ/DC500V
 - Withstanding Voltage : AC2000V/1min
- Mechanical
 - Operating temperature: -40℃ ~ +130℃
 - Soldering temperature: 250℃ ±5/5sec
- Conform to REACH and RoHS

HOW TO ORDER
 2KF014RM-3.5-2*XXP-1 X-XXXXX



| Pitch range | Nominal dimension range | PROJECTION |
|-------------|-------------------------|------------|
| >0 | >0 | 0.1/10 |
| >6 | >30 | |
| ~6 | ~30 | |
| ~10 | ~60 | |
| ~24 | ~100 | |
| ±0.15 | ±0.30 | ±2° |
| | ±0.50 | |
| | ±0.70 | |
| | ±1.00 | |
| | ±1.30 | |

| DRAWING TYPE | CUSTOMER DRAWING |
|--------------|------------------|
| SCALE | 1:1 |
| SHEET | 1/1 |
| DRAWING NO. | W10003592 |

| PROJECTION | UNIT | TITLE |
|------------|------|-----------------------|
| | mm | 2KF014RM-3.5-2*XXP-1X |
| SHEET SIZE | A4 | SERIES 2KF014RM |

DF 慈溪市凯峰电子有限公司
 CIXI KAIFENG ELECTRONICS CO.,LTD

