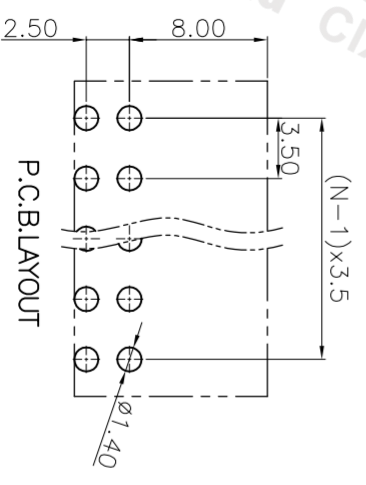
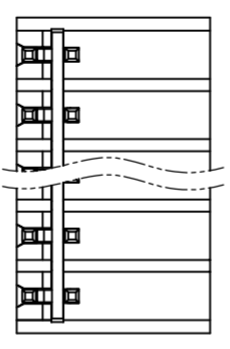
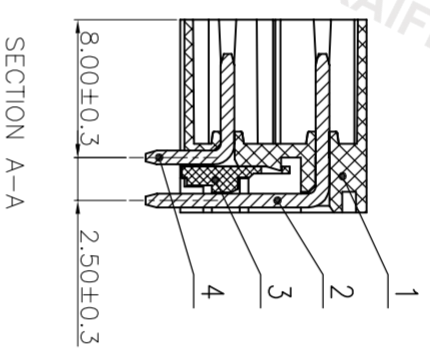
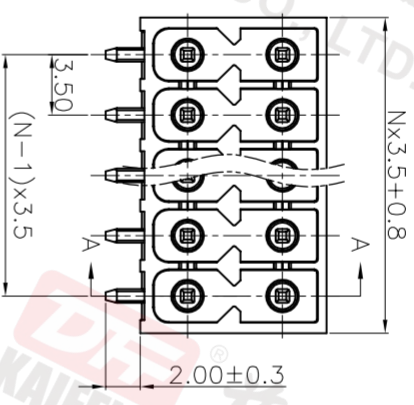
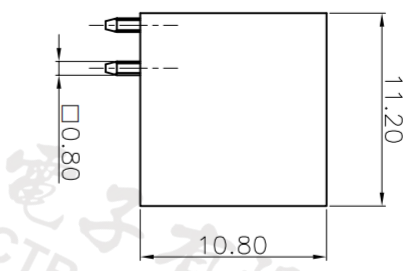
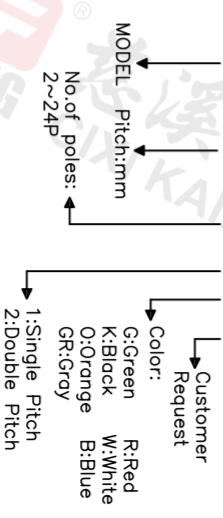


REV.	DESCRIPTION	DATE	DRAFTER	APPROVER
V1.0	DWG.REL	2022.5.13	ZHANG	JIN



- Material
 - ①Housing : LCP, UL94V-0
 - ②Pin header 1 : Copper alloy, Tin plated
 - ③Spacer : LCP, UL94V-0
 - ④Pin header 2 : Copper alloy, Tin plated
- Electrical
 - UL IEC
 - Rated voltage : 150V 250V
 - Rated current : 8A 8A
 - Contact resistance : 20mΩ(Max)
 - Insulation resistance: 500MΩ/DC500V
 - Withstanding Voltage : AC2000V/1min
- Mechanical
 - Operating temperature: -40°C ~ +130°C
 - Soldering temperature: 250°C ± 5/5sec
- Conform to REACH and RoHS

HOW TO ORDER
2KF014R-3.5-2*XXP-1 X-XXXXX



Pitch range	Nominal dimension range	PROJECTION
>0	>0	0.1/10
>6	>30	□
~	~	□
10	60	□
~	~	□
24	100	□
~	~	□
±0.15	±0.30	□
±0.20	±0.50	□
±0.30	±0.70	□
±0.50	±1.00	□
±1.00	±1.30	□
±2*	±2*	□

DRAWING TYPE	CUSTOMER DRAWING	SHEET SIZE	TITLE
SCALE	1:1	A4	2KF014R-3.5-2*XXP-1X
DRAWING NO.	W10003612	SHEET	SERIES
		1/1	2KF014R

DF 慈溪市凯峰电子有限公司
CIXI KAIFENG ELECTRONICS CO.,LTD

