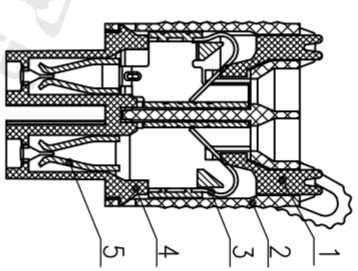
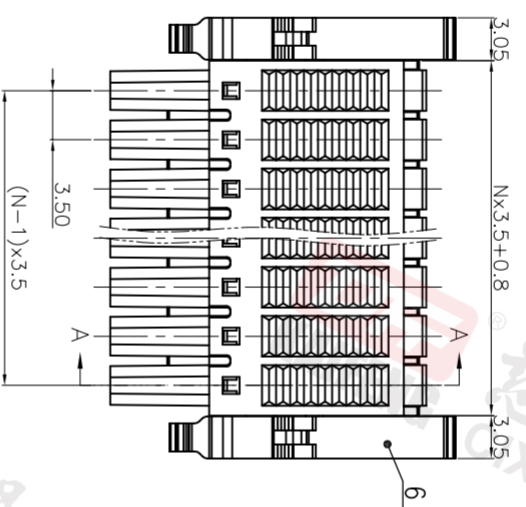
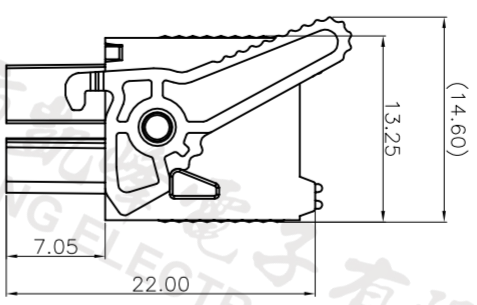
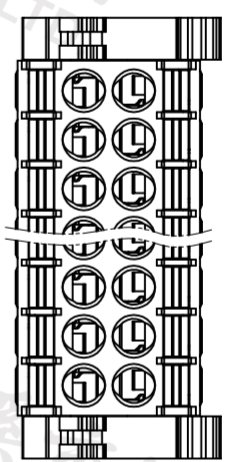
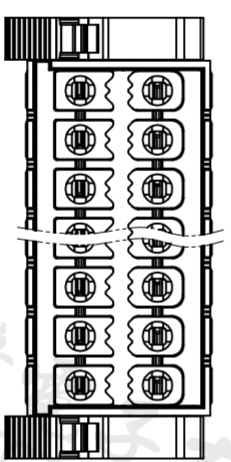


REV.	DESCRIPTION	DATE	DRAFTER	APPROVER
V1.0	DWG.REL	2023.7.28	ZHANG	JIN



SECTION A-A



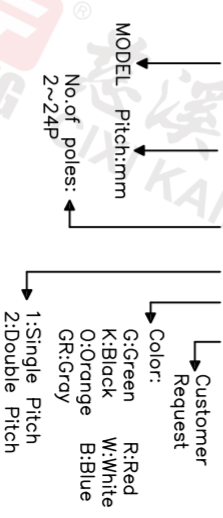
- Material
- ①Button : POM
- ②Housing : PA66, UL94V-0
- ③Reed : Stainless steel
- ④Cover : PA66, UL94V-0
- ⑤Contact : Copper alloy, Tin plated
- ⑥Spanner : PA66, UL94V-0

- Electrical
- UL IEC
- Rated voltage : 300V 250V
- Rated current : 8A 8A
- Contact resistance : 20mΩ(Max)
- Insulation resistance: 500MΩ/DC500V
- Withstanding Voltage : AC2000V/1min
- Wire range: 26-16AWG 0.2-1.5mm²

- Mechanical
- Operating temperature:-40℃~+105℃
- Soldering temperature:250℃±5/5sec
- Strip length: 10mm

• Conform to REACH and RoHS

HOW TO ORDER
2KF014F-3.5-2*XXP-1 X-XXXXX



Pitch range	Nominal dimension range	Projection
>0	>0	0.1/10
>6	>30	□
~6	~30	□
~10	~60	□
~24	~100	□
±0.15 ±0.20	±0.30 ±0.50 ±0.70 ±1.00 ±1.30	□

DRAWING TYPE	CUSTOMER DRAWING	PROJECTION	TITLE
SCALE	1:1	SHEET	UNIT
DRAWING NO.	W10004812	1/1	mm
		SHEET SIZE	A4
		SERIES	2KF014F
			2KF014F-3.5-2*XXP-1X

DF 慈溪市凯峰电子有限公司
CIXI KAIFENG ELECTRONICS CO.,LTD

