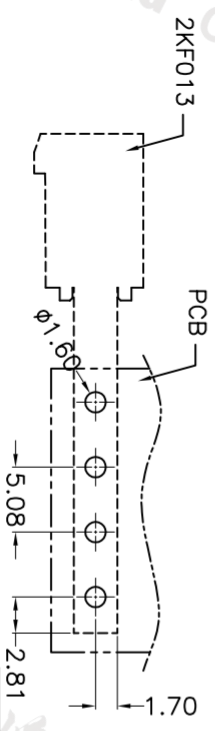
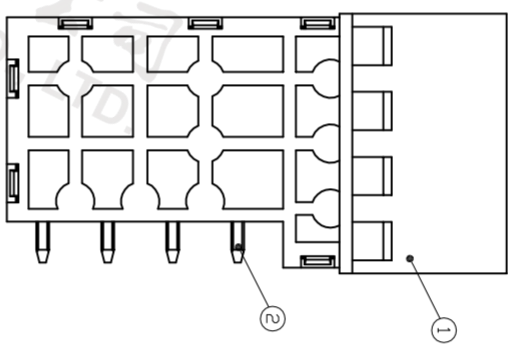
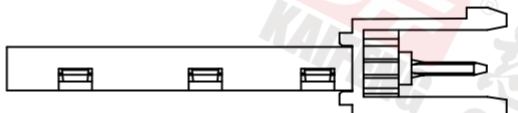
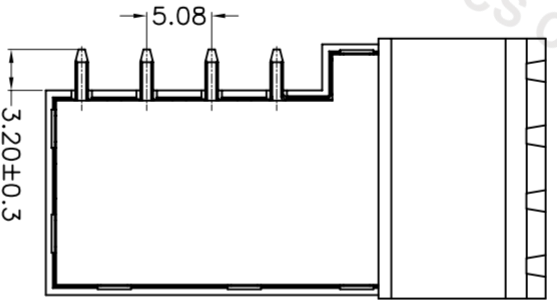
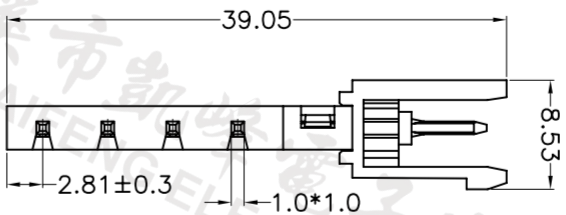
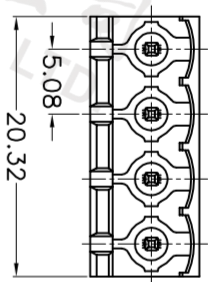


REV.	DESCRIPTION	DATE	DRAFTER	APPROVER
V1.0	DWG.REL	2021.5.18	ZHANG	JIN



P.C.B.LAYOUT

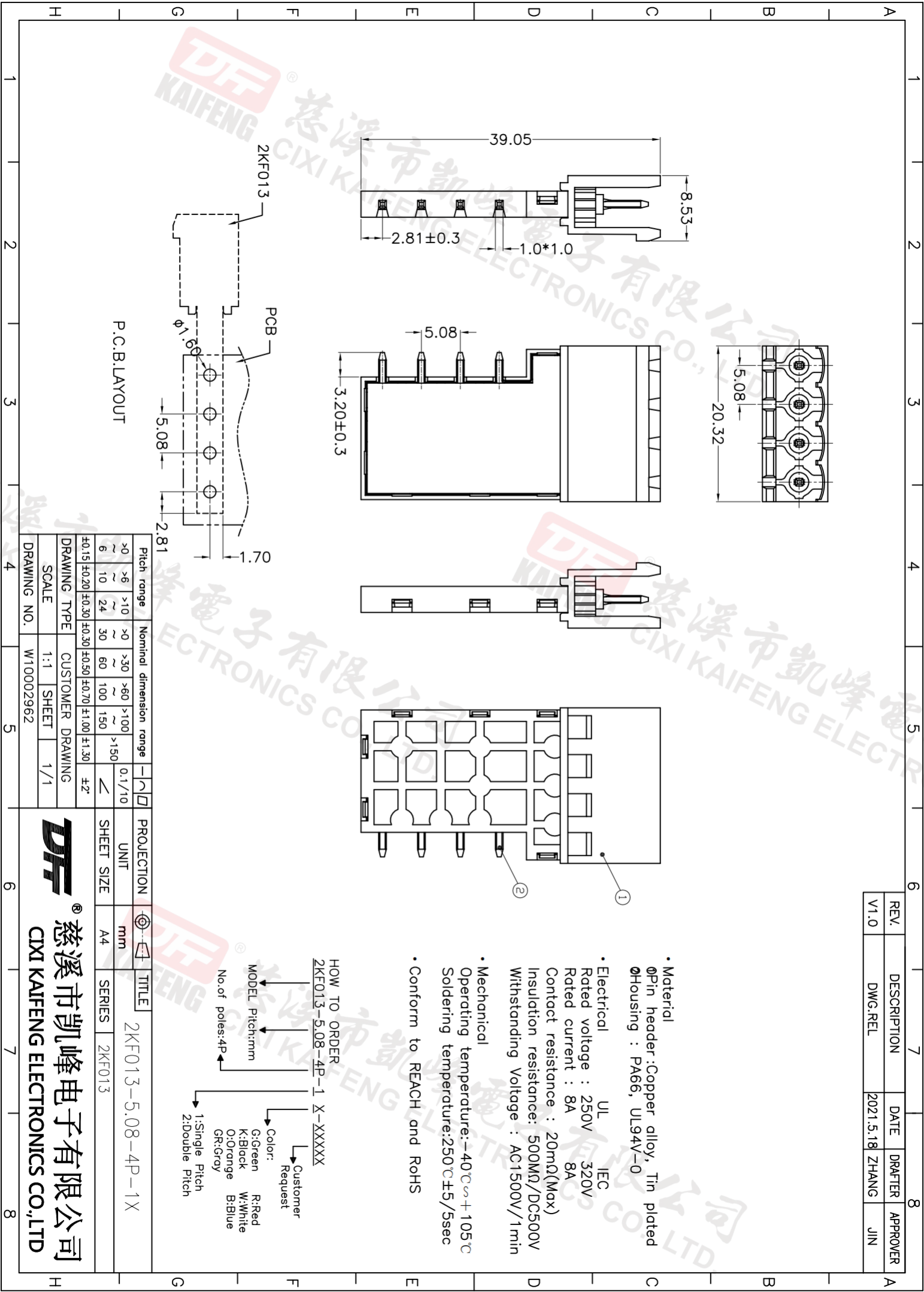
Pitch range	Nominal dimension range	PROJECTION
>0	>0	0.1/10
>6	>30	□
~	~	□
6	60	□
~	~	□
10	100	□
~	~	□
24	150	□
±0.15	±0.30	□
±0.30	±0.50	□
±0.50	±0.70	□
±1.00	±1.30	□
±2*	±2*	□

DRAWING TYPE	CUSTOMER DRAWING
SCALE	1:1
DRAWING NO.	W10002962
SHEET	1/1

TITLE	UNIT	SHEET SIZE	SERIES
2KF013-5.08-4P-1X	mm	A4	2KF013

HOW TO ORDER
 2KF013-5.08-4P-1 X-XXXXX
 MODEL Pitch:mm
 No.of poles:4P
 Color: Customer Request
 G:Green K:Black O:Orange GR:Gray
 R:Red W:White B:Blue
 1:Single Pitch
 2:Double Pitch

- Material
 Pin header: Copper alloy, Tin plated
 Housing : PA66, UL94V-0
- Electrical
 UL IEC
 Rated voltage : 250V 320V
 Rated current : 8A 8A
 Contact resistance : 20mΩ(Max)
 Insulation resistance: 500MΩ/DC500V
 Withstanding Voltage : AC1500V/1min
- Mechanical
 Operating temperature: -40℃~+105℃
 Soldering temperature: 250℃±5/5sec
- Conform to REACH and RoHS



DFE 慈溪市凯峰电子有限公司
 CIXI KAIFENG ELECTRONICS CO.,LTD