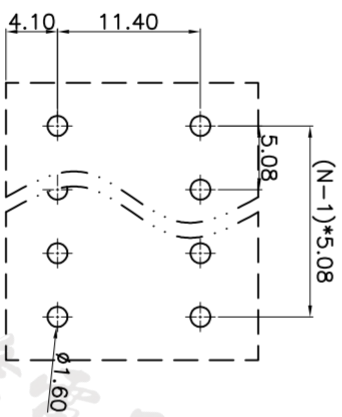
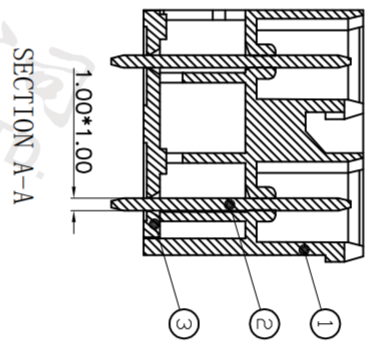
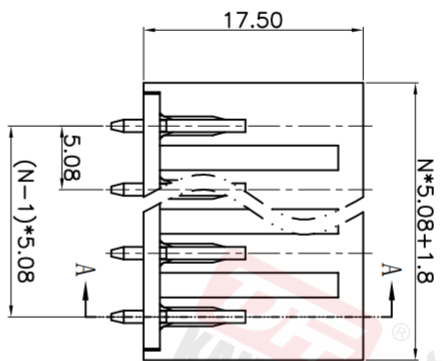
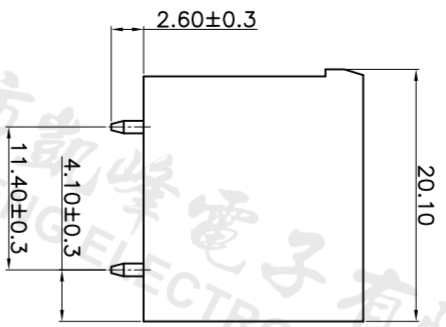
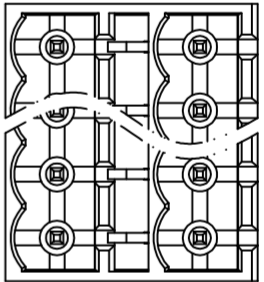


REV.	DESCRIPTION	DATE	DRAFTER	APPROVER
V1.0	DWG.REL	2021.8.21	ZHANG	JIN



P.C.B. LAYOUT

Pitch range	Nominal dimension range	PROJECTION
>0	>0	—
>6	>30	□
~	~	□
6	30	□
10	60	□
~	~	□
24	100	□
~	~	□
±2'	±1.30	□
±2'	±1.30	□

DRAWING TYPE	CUSTOMER DRAWING	SCALE	SHEET	DRAWING NO.
1:1	1/1	1:1	1/1	W10003022

- Material
 - ①Housing : PA66, UL94V-0
 - ②Pin header : Copper alloy, Tin plated
 - ③Cover : PA66, UL94V-0

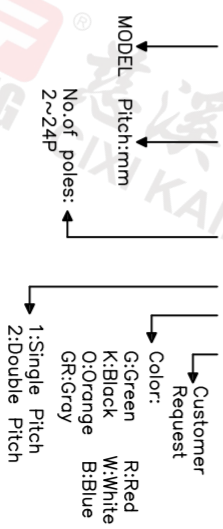
- Electrical

UL	IEC
Rated voltage : 300V	300V
Rated current : 12A	12A
Contact resistance : 20mΩ(Max)	
Insulation resistance: 500MΩ/DC500V	
Withstanding Voltage : AC2500V/1min	

- Mechanical
 - Operating temperature: -40°C ~ +105°C
 - Soldering temperature: 250°C ±5/5sec

• Conform to REACH and RoHS

HOW TO ORDER
2KF012V-5.08-2*XXP-1 X-XXXX



TITLE
2KF012V-5.08-2*XXP-1X

SHEET SIZE
A4

SERIES
2KF012V

DF 慈溪市凯峰电子有限公司
CIXI KAIFENG ELECTRONICS CO.,LTD



慈溪市凯峰电子有限公司
CIXI KAIFENG ELECTRONICS CO., LTD.

慈溪市凯峰电子有限公司
CIXI KAIFENG ELECTRONICS CO., LTD.