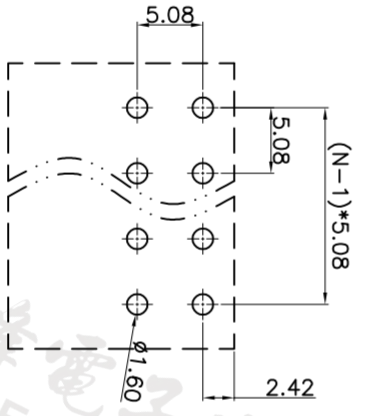
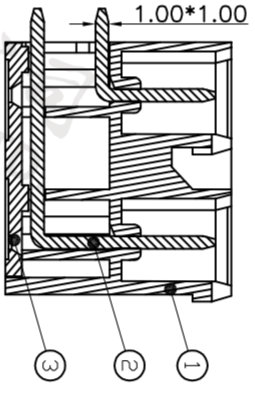
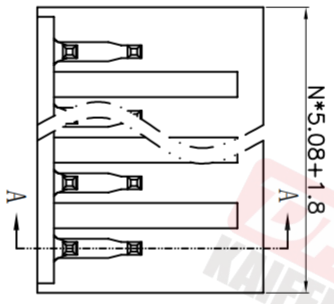
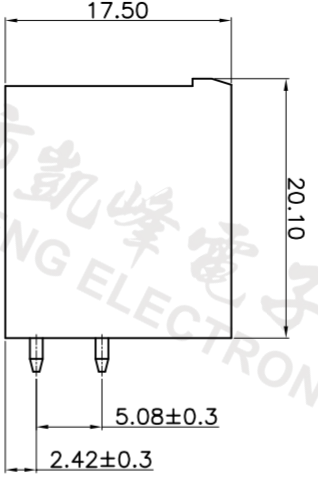
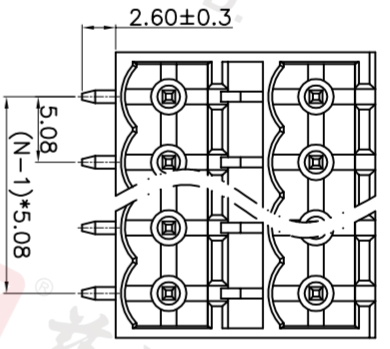


REV.	DESCRIPTION	DATE	DRAFTER	APPROVER
V1.0	DWG.REL	2021.8.21	ZHANG	JIN



P.C.B. LAYOUT

Pitch range	Nominal dimension range	PROJECTION
>0	>0	0.1/10
>6	>30	□
~6	~30	□
~10	~60	□
~24	~100	□
±0.15	±0.30	□
±0.20	±0.50	□
±0.30	±0.70	□
±1.00	±1.00	□
±1.30	±1.30	□
	±2°	□

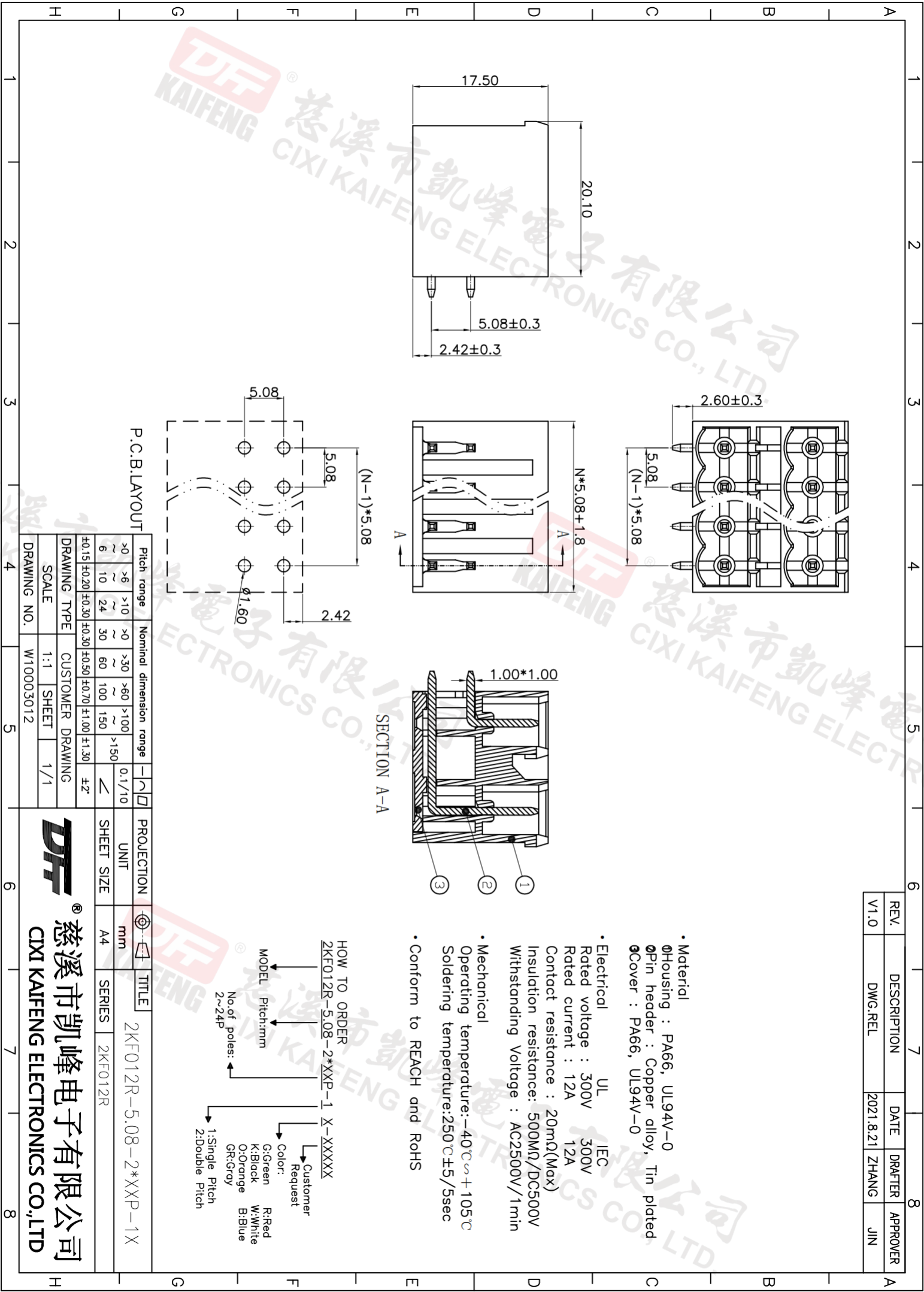
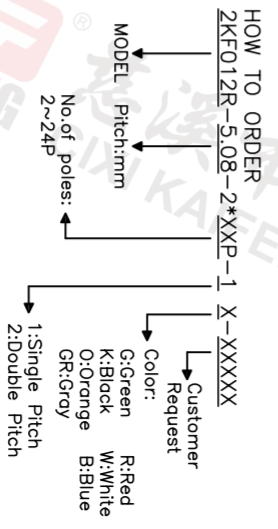
DRAWING TYPE	SCALE	SHEET	DRAWING NO.	TITLE
CUSTOMER DRAWING	1:1	1/1	W10003012	2KF012R-5.08-2*XXP-1X
DRAWING TYPE	SCALE	SHEET	DRAWING NO.	TITLE
CUSTOMER DRAWING	1:1	1/1	W10003012	2KF012R-5.08-2*XXP-1X

- Material
 ○Housing : PA66, UL94V-0
 ○Pin header : Copper alloy, Tin plated
 ○Cover : PA66, UL94V-0

- Electrical
 UL IEC
 Rated voltage : 300V 300V
 Rated current : 12A 12A
 Contact resistance : 20mΩ(Max)
 Insulation resistance: 500MΩ/DC500V
 Withstanding Voltage : AC2500V/1min

- Mechanical
 Operating temperature:-40℃~+105℃
 Soldering temperature:250℃±5/5sec

• Conform to REACH and RoHS



慈溪市凯峰电子有限公司
 CIXI KAIFENG ELECTRONICS CO., LTD

慈溪市凯峰电子有限公司
 CIXI KAIFENG ELECTRONICS CO., LTD

DF 慈溪市凯峰电子有限公司
 CIXI KAIFENG ELECTRONICS CO.,LTD