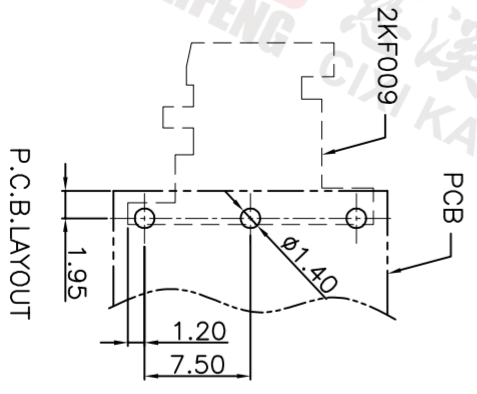
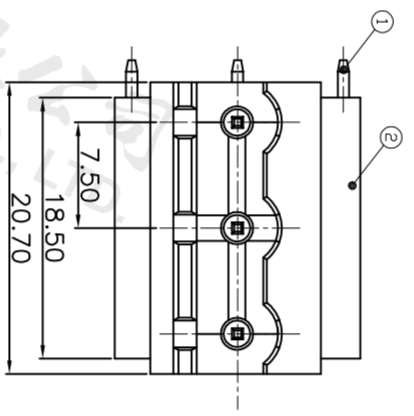
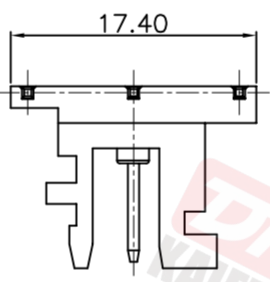
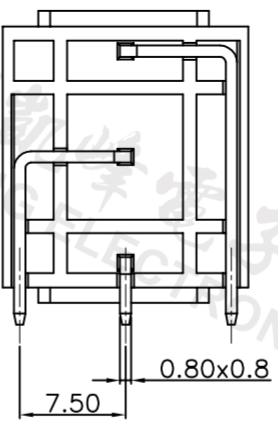
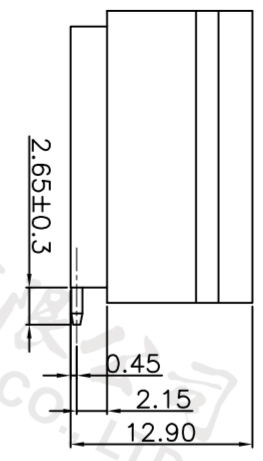


REV.	DESCRIPTION	DATE	DRAFTER	APPROVER
V1.0	DWG.REL	2021.5.18	ZHANG	JIN



- Material  
ØPin header: Copper alloy, Tin plated  
ØHousing : PA66, UL94V-0
- Electrical  
UL IEC  
Rated voltage : 300V 320V  
Rated current : 16A 20A  
Contact resistance : 20mΩ(Max)  
Insulation resistance: 500MΩ/DC500V  
Withstanding Voltage : AC2500V/1min
- Mechanical  
Operating temperature: -40℃~+105℃  
Soldering temperature: 250℃±5/5sec
- Conform to REACH and RoHS

HOW TO ORDER  
2KF009-7.5-3P-1 X-XXXXX

MODEL Pitch:mm  
No. of poles: 4~24P

Color: Request  
G:Green R:Red  
K:Black W:White  
O:Orange B:Blue  
GR:Grey

1:Single Pitch  
2:Double Pitch

Pitch range	Nominal dimension range	PROJECTION
>0	>0	0.1/10
>6	>30	
~	~	
6	60	
~	~	
10	100	
~	~	
24	150	
±0.15	±0.30	±2°
	±0.30	
	±0.50	
	±0.70	
	±1.00	
	±1.30	

SCALE 1:1 SHEET 1/1

DRAWING TYPE CUSTOMER DRAWING

DRAWING NO. W10002952

PROJECTION UNIT mm

SHEET SIZE A4

SERIES 2KF009

TITLE 2KF009-7.5-3P-1X

**DF** 慈溪市凯峰电子有限公司  
CIXI KAIFENG ELECTRONICS CO.,LTD