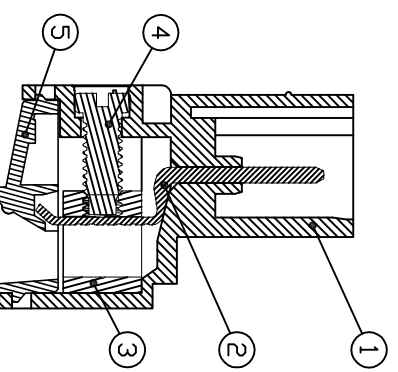
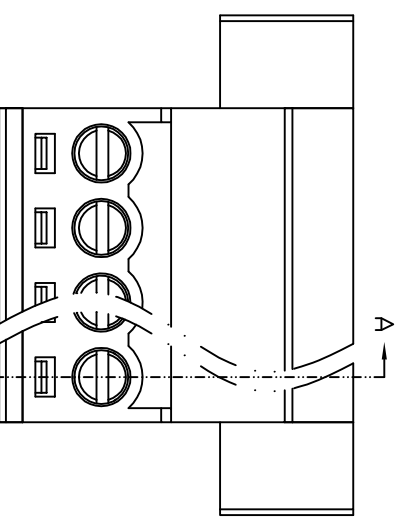
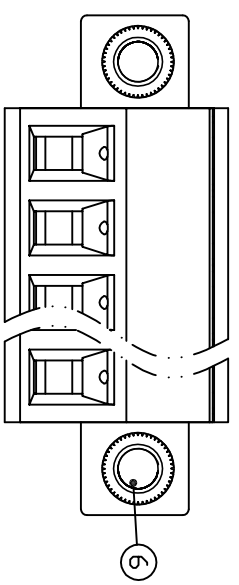
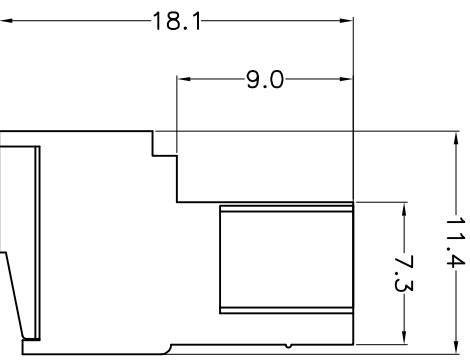
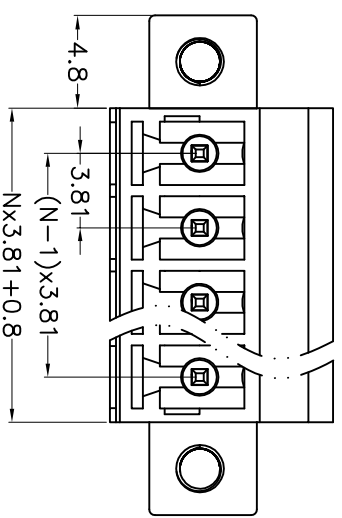


REV.	DESCRIPTION	DATE	DRAFTER	APPROVER
V1.0	DWG.REL	2024.7.29	ZHANG	JIN



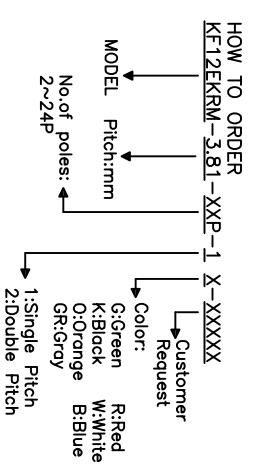
SECTION A-A

- Material
 - ①Housing : PA66, UL94V-0
 - ②Pin header : Copper alloy, Tin plated
 - ③Clamp : Copper alloy, Ni plated
 - ④Screw : M2.0 steel, Zinc plated
 - ⑤Cover : PA66, UL94V-0
 - ⑥Nut : M2.5, Copper alloy

- Electrical
 - UL IEC
 - Rated voltage : 300V 250V
 - Rated current : 8A 7A
 - Contact resistance : 20mΩ(Max)
 - Insulation resistance : 500MΩ/DC500V
 - Withstanding Voltage : AC1500V/1min
 - Wire range : 24-16AWG, 0.5-1.5mm²

- Mechanical
 - Operating temperature: -40°C ~ +105°C
 - Soldering temperature: 250°C ±5/5sec
 - Torque: 0.2N·m (1.77Lb·in)
 - Strip length: 6-7mm

• Conform to REACH and RoHS



Pitch range	Nominal dimension range	PROJECTION
>0	>0	0.1/10
~6	>30	□
~10	>60	□
~24	>100	□
±0.15	>150	□
±0.20	±0.30	±2°
±0.30	±0.50	
±0.70	±1.00	
±1.30	±1.30	

DRAWING TYPE	CUSTOMER DRAWING	SHEET	1 OF 1
SCALE	1:1	SHEET	1 OF 1
DRAWING NO.	W10001372		

DF 慈溪市凯峰电子有限公司
CIXI KAIFENG ELECTRONICS CO.,LTD

TITLE: KF12EKR-3.81-XXP-1X
SHEET SIZE: A4
SERIES: KF12EKR