

REV.	DESCRIPTION	DATE	DRAFTER	APPROVER
V1.0	DWG.REL	2024.7.29	ZHANG	JIN

- Material
  - ①Housing : PA66, UL94V-0
  - ②Pin header : Copper alloy, Tin plated
  - ③Clamp : Copper alloy, Ni plated
  - ④Screw : M2.0 steel, Zinc plated
  - ⑤Cover : PA66, UL94V-0

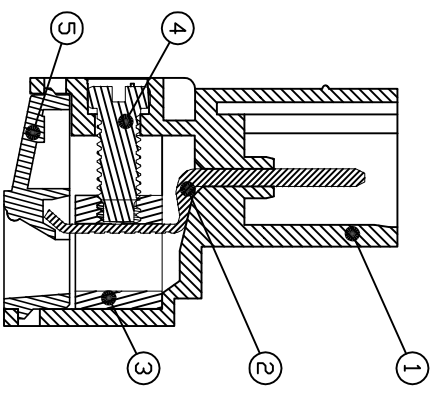
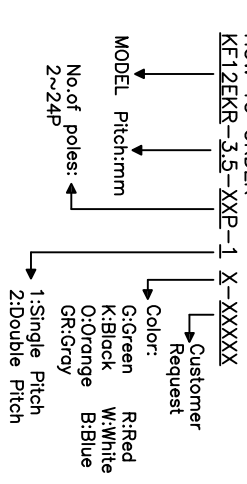
- Electrical
 

UL	IEC
Rated voltage : 300V	250V
Rated current : 8A	7A
Contact resistance : 20mΩ(Max)	
Insulation resistance : 500MΩ/DC500V	
Withstanding Voltage : AC1500V/1min	
Wire range : 24-16AWG,0.5-1.5mm <sup>2</sup>	

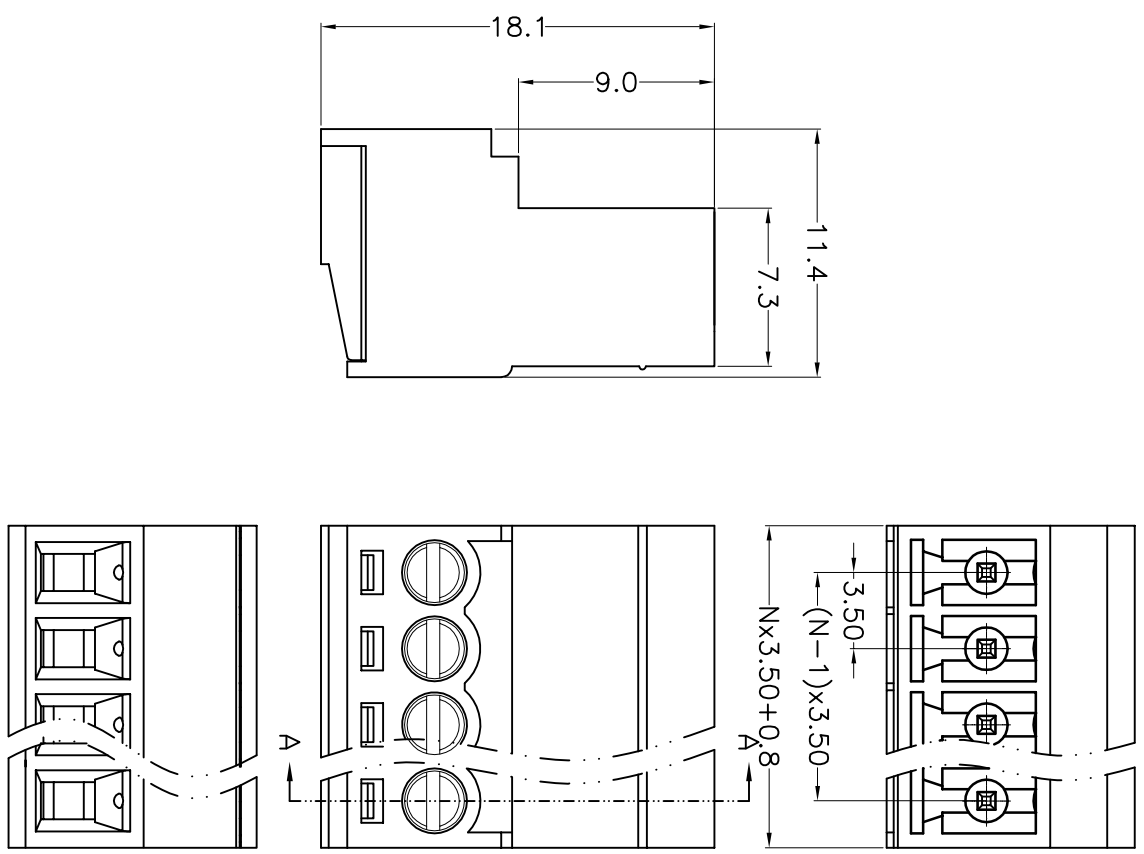
- Mechanical
  - Operating temperature: -40℃~+105℃
  - Soldering temperature: 250℃±5/5sec
  - Torque: 0.2N·m (1.77Lb.in)
  - Strip length: 6-7mm

• Conform to REACH and Rohs

HOW TO ORDER



SECTION A-A



Pitch range	Nominal dimension range	PROJECTION
>0	>10	0.1/10
~6	~10	□
~10	~24	□
~30	~60	□
~100	~150	□
±2*		

DRAWING TYPE	SCALE	SHEET	TITLE
CUSTOMER DRAWING	1:1	1 OF 1	KF12EKR-3.5-XXP-1X
DRAWING NO.			SHEET SIZE: A4
			SERIES: KF12EKR

**DF** 慈溪市凯峰电子有限公司  
CIXI KAIFENG ELECTRONICS CO.,LTD