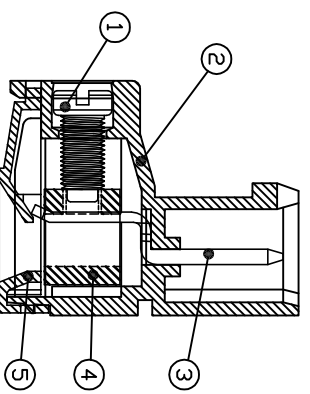
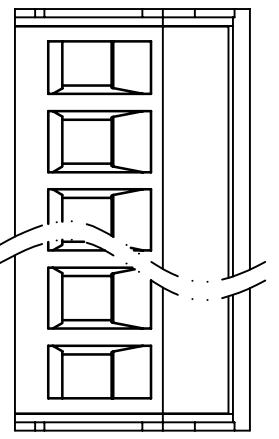
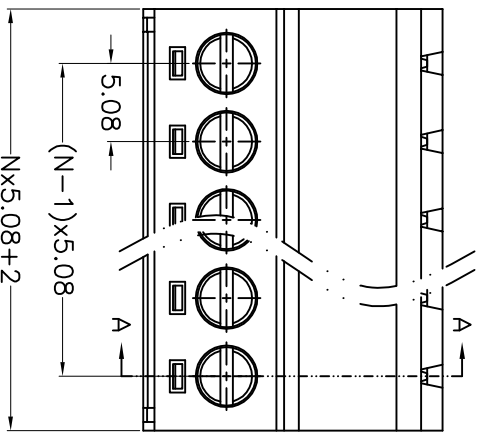
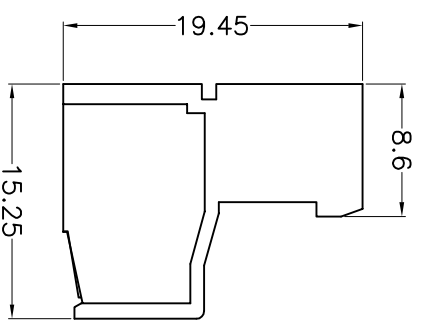
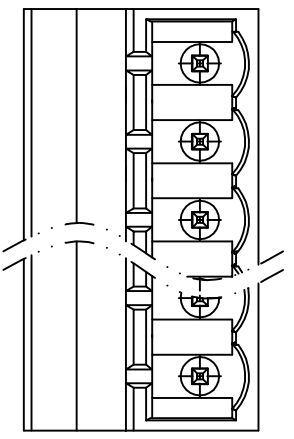


REV.	DESCRIPTION	DATE	DRAFTER	APPROVER
V1.0	DWG.REL	2024.7.31	ZHANG	JIN



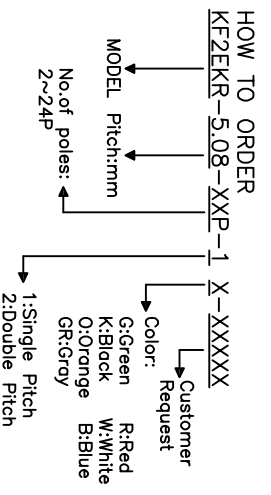
SECTION A-A

• Material
 ØScrew: M3.0,Steel, Zinc plated,“-” slot type
 ØHousing : PA66, UL94V-0
 ØPin header : Copper alloy,Tin plated
 ØClamp : Copper alloy, Ni plated
 ØCover : PA66, UL94V-0

• Electrical
 UL IEC
 Rated voltage : 300V 320V
 Rated current : 15A 20A
 Contact resistance : 20mΩ(Max)
 Insulation resistance: 500MΩ/DC500V
 Withstanding Voltage : AC2000V/1min
 Wire range: 24-14AWG 2.5mm²

• Mechanical
 Operating temperature:-40℃~+105℃
 Soldering temperature:250℃±5/5sec
 Torque: 0.5N.m (4.43lb.in)
 Strip length: 7-8mm

• Conform to REACH and RoHS



Pitch range	Nominal dimension range	PROJECTION
>0	>10	0.1/10
~	6	~
~	10	~
~	24	~
±0.15	±0.30	±2°
±0.30	±0.30	
±0.50	±0.50	
±0.70	±1.00	
±1.30	±1.30	

DRAWING TYPE	CUSTOMER DRAWING
SCALE	1:1 SHEET 1 OF 1
DRAWING NO.	W10000942

PROJECTION	TITLE
UNIT	KF2EKR-5.08-XXP-1X
mm	
SHEET SIZE	A4
SERIES	KF2EKR

DF 慈溪市凯峰电子有限公司
 CIXI KAIFENG ELECTRONICS CO.,LTD