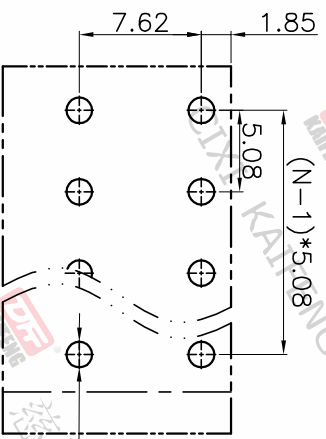
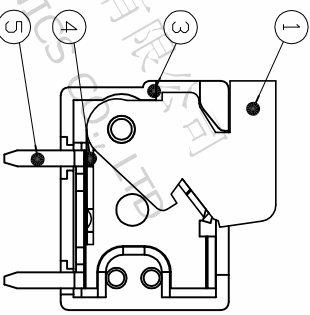
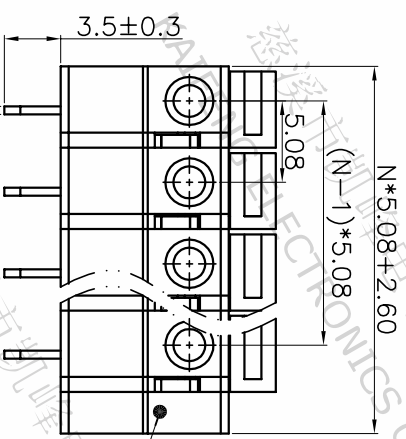
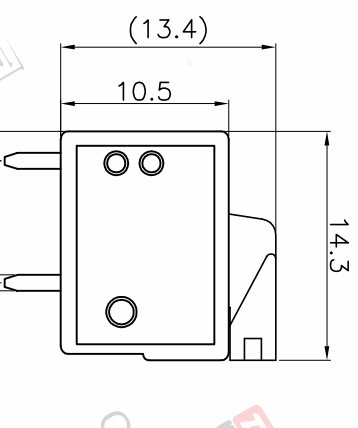
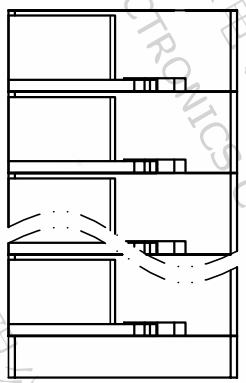


REV.	DESCRIPTION	DATE	DRAFTER	APPROVER
A1	DWG.REL	2020.05.27	DENG	JIN



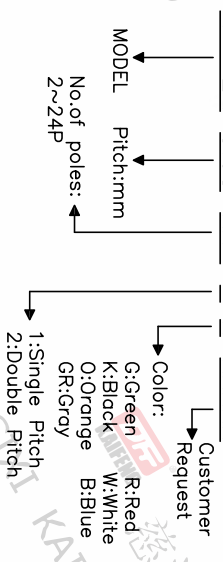
P.C.B. LAYOUT

Pitch range	Nominal dimension range	PROJECTION
>0	>0	0.1/10
~6	~30	~
~10	~60	~
~24	~100	~
~30	~150	~
±0.15	±0.30	±2'

DRAWING TYPE	CUSTOMER DRAWING	SHEET	1 OF 1
SCALE	1:1	SHEET	1 OF 1
DRAWING NO.	W11000152		

- Material
 - ①Button : PA66, UL94V-0
 - ②Cover : PA66, UL94V-0
 - ③Housing : PA66, UL94V-0
 - ④Reed : Stainless steel
 - ⑤Pin header : Copper alloy, Tin plated
- Electrical
 - UL IEC
 - Rated voltage : 300V 250V
 - Rated current : 10A 15A
 - Contact resistance : 20mΩ(Max)
 - Insulation resistance: 500MΩ/DC500V
 - Withstanding Voltage : AC2000V/1min
 - Wire range: 22-14AWG 1.5mm²
- Mechanical
 - Operating temperature: -40°C ~ +105°C
 - Soldering temperature: 250°C ±5/5sec
 - Strip length: 10mm
- RoHS compliance

HOW TO ORDER
KF142R-5.08-XXP-1 X-XXXXX



DF 慈溪市凯峰电子有限公司
CIXI KAIFENG ELECTRONICS CO.,LTD